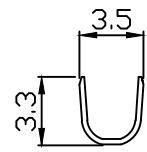
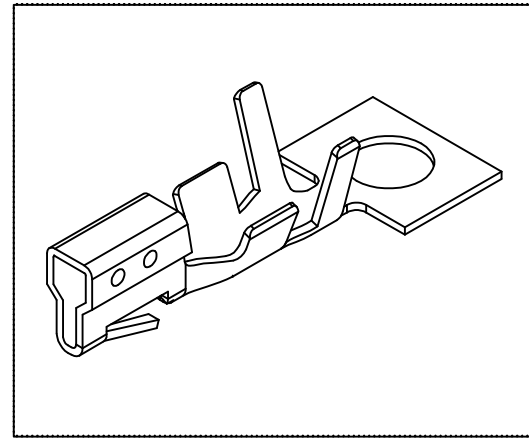
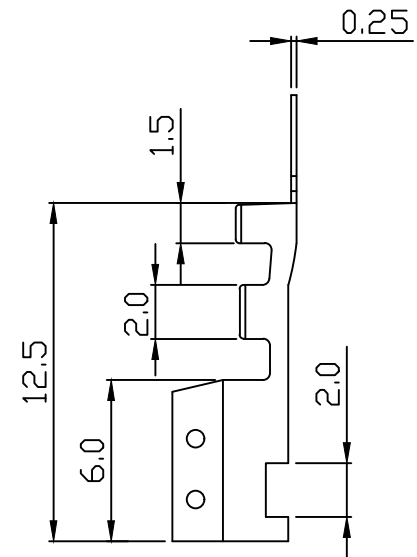
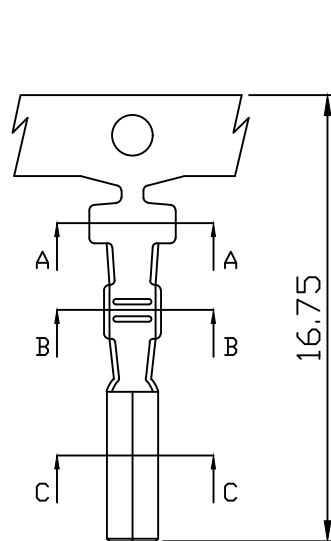
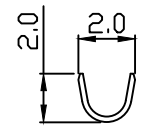


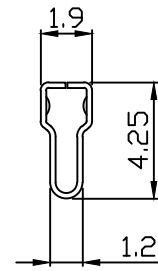
PART NO. C508700TSxxx
 DWG NO. C5087TS



SEC A-A



SEC B-B



SEC C-C

NOTE:

1. Terminal Material: Brass , Phosphor
2. Plated: Tin-plated 50u"min.
3. Applicable wires: AWG#28-#22
4. Insulation O.D.: 1.2-2.6mm
5. Q'ty / reel: 5,000 pcs

Ordering Information:

Part No.	Material	Q'ty/reel
508700TS051	Brass	5,000pcs
508700TS351	Phosphor	5,000pcs

REV.	REVISION	DIS	DATE

UNLESS OTHERWISE SPECIFIED TOLERANCES
 3 PLACE ±0.5 ±0.10
 2 PLACE ±1.5 ±0.35
 1 PLACE ±2.0 ±0.50
 ANGLE DIM



SCALE	REV.	PAGE	UNIT	mm	DWG NO:	PART.NO
5/1	A	1/1	THIRD ANGLE PROJECTION		C5087TS	508700TSxxx