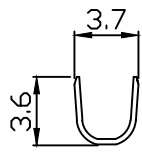
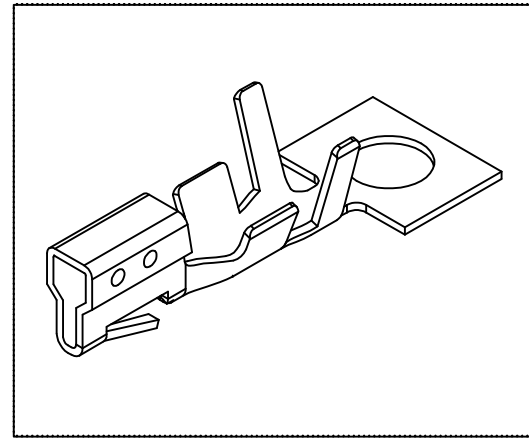
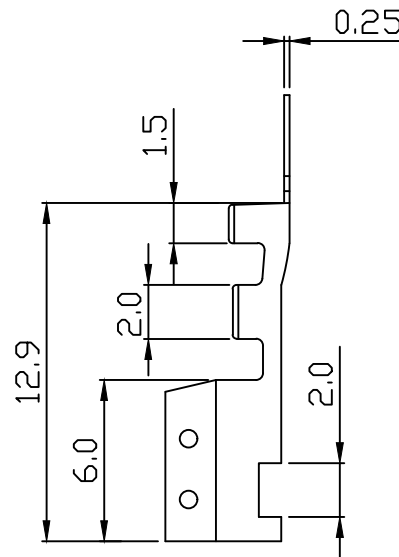
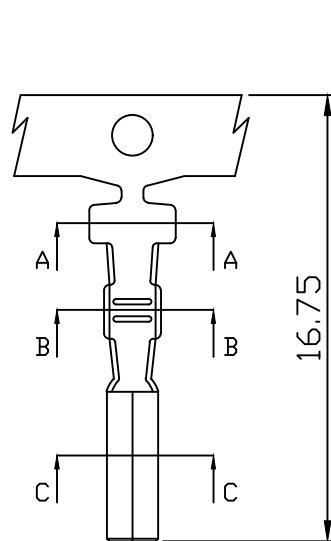
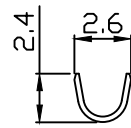


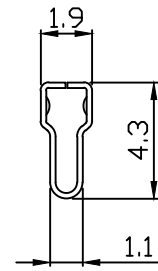
PART NO. C508700TCxxx  
 DWG NO. C5087TC



SEC A-A



SEC B-B



SEC C-C

NOTE:

1. Terminal Material: Brass , Phosphor
2. Plated: Tin-plated 50u"min.
3. Applicable wires: AWG#24-#18
4. Insulation O.D.: 1.3-3.2mm
5. Q'ty / reel: 5,000 pcs

Ordering Information:

Part No.	Material	Q'ty/reel
508700TC051	Brass	5,000pcs
508700TC351	Phosphor	5,000pcs

UNLESS OTHERWISE SPECIFIED TOLERANCES  
 3 PLACE ±0.5 ±0.10  
 2 PLACE ±1.5 ±0.35  
 1 PLACE ±2.0 ±0.50  
 ANGLE DIM



REV.	REVISION	DIS	DATE
SCALE	REV.	PAGE:	UNIT
5/1	A	1/1	mm

DWG NO:	PART.NO
C5087TC	508700TCxxx

E  
D  
C  
B  
A

F  
E  
D  
C  
B  
A