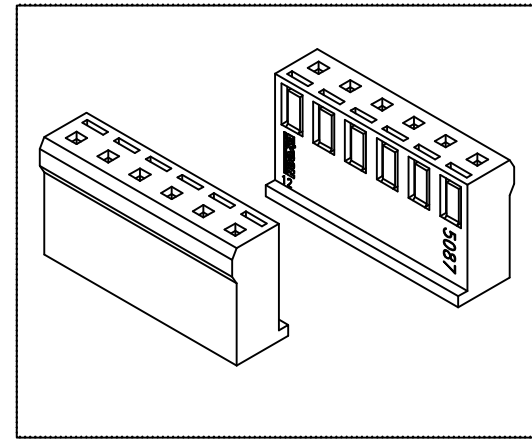
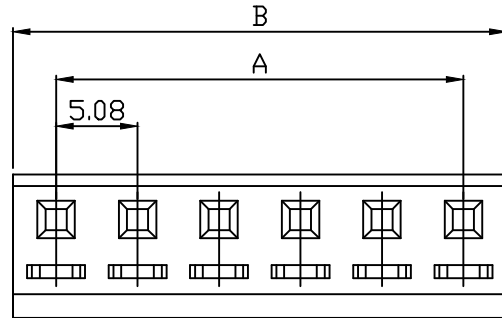
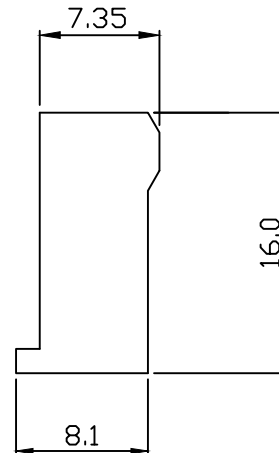
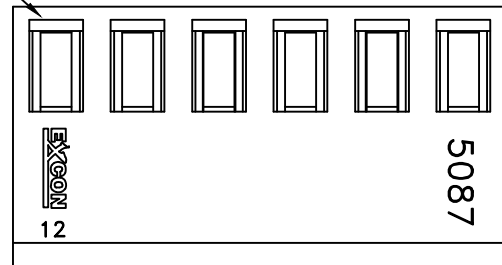


PART NO. 5087xxHA051
 DWG NO. C5087HA



Circuit 1st



Dimensional & Ordering Information:

Part No.	Circuits	Dim A	Dim B
508702HA051	2	5.08	10.16
508703HA051	3	10.16	15.24
508704HA051	4	15.24	20.32
508705HA051	5	20.32	25.40
508706HA051	6	25.40	30.48
508707HA051	7	30.48	35.56
508708HA051	8	35.56	40.64
508709HA051	9	40.64	45.72
508710HA051	10	45.72	50.80
508711HA051	11	50.80	55.88
508712HA051	12	55.88	60.96

NOTE:

1. Housing Material: Nylon 66 UL94V2
2. Insulation resistance: 1000MΩ min.
3. Withstand voltage: 1000V AC/minute.
4. Current rating: 5A AC/DC.
5. Voltage rating: 250V AC/DC

REV.	REVISION	DIS	DATE

SCALE	REV.	PAGE	UNIT	mm	DWG NO:	PART.NO
3/1	A	1/1	THIRD ANGLE PROJECTION		C5087HA	5087xxHA051

UNLESS OTHERWISE SPECIFIED TOLERANCES
 3 PLACE ±0.5 ±0.10
 2 PLACE ±1.5 ±0.35
 1 PLACE ±2.0 ±0.50
 ANGLE DIM

EXCON
 EXCON TECHNOLOGY COMPANY

E
D
C
B
A

F
E
D
C
B
A