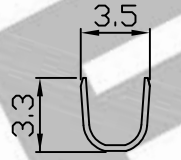
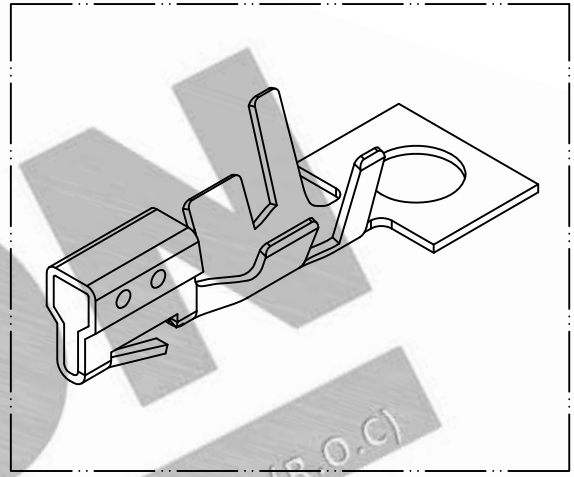
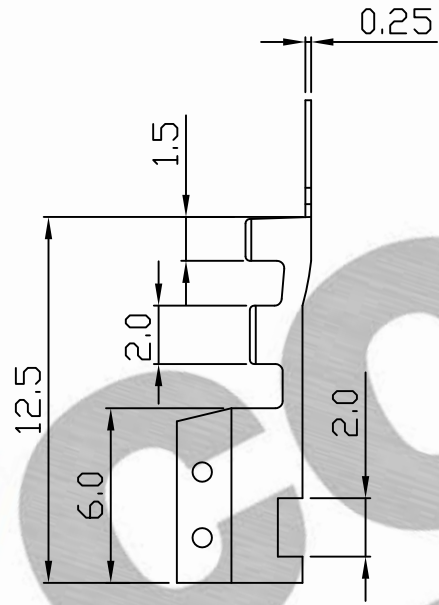
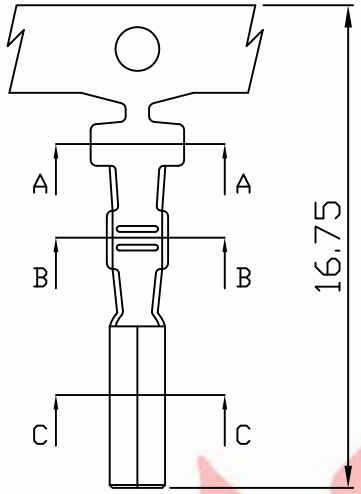
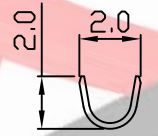


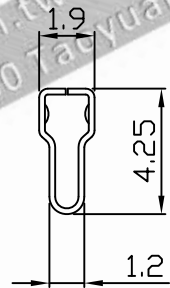
PART NO. 508700TSxxx
 DWG NO. C5087TS



SEC A-A



SEC B-B



SEC C-C

NOTE:

1. Terminal Material: Brass , Phosphor
2. Plated: Tin-plated 50u"min.
3. Applicable wires: AWG#28-#22
4. Insulation O.D.: 1.2-2.6mm
5. Q'ty / reel: 5,000 pcs

Ordering Information:

Part No.	Material	Q'ty/reel
508700TS051	Brass	5,000pcs
508700TS351	Phosphor	5,000pcs

				UNLESS OTHERWISE SPECIFIED TOLERANCES		EXCON <u>EXCON TECHNOLOGY COMPANY</u>
				3 PLACE ±0.5 ±0.10		
				2 PLACE ±1.5 ±0.25		
				1 PLACE ±2.0 ±0.50		PART.NO
				ANGLE DIM		
REV.	REVISIONI			DIS	DATE	DWG NO:
SCALE	REV.	PAGE:	UNIT	mm		
5/1	A	1/1	THIRD ANGLE PROJECTION			C5087TS
						PART.NO
						508700TSxxx