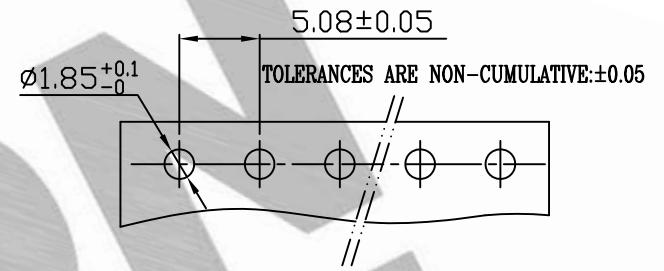
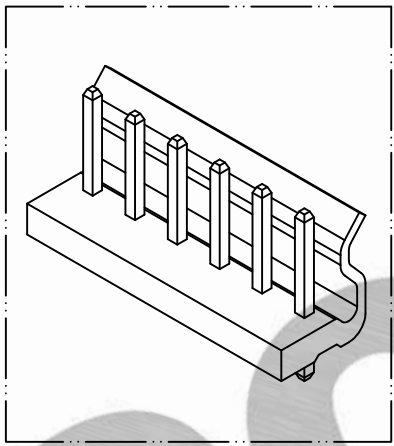
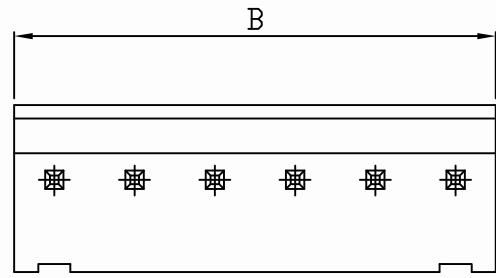
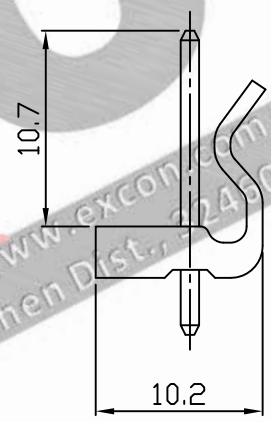
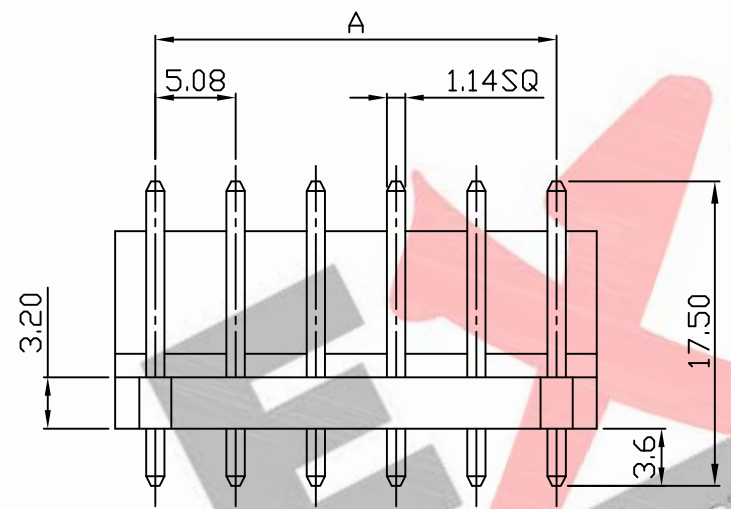


PART NO. 5085xxWV051
 DWG NO. C5085WV



RECOMMENDED PCB LAYOUT
 (PCB THK=1.0~1.6)



Dimensional & Ordering Information:

Part No.	Circuits	Dim A	Dim B
508502WV051	2	5.08	10.16
508503WV051	3	10.16	15.24
508504WV051	4	15.24	20.32
508505WV051	5	20.32	25.40
508506WV051	6	25.40	30.48
508507WV051	7	30.48	35.56
508508WV051	8	35.56	40.64
508509WV051	9	40.64	45.72
508510WV051	10	45.72	50.80
508511WV051	11	50.80	55.88
508512WV051	12	55.88	60.96

NOTE:

1. Wafer Material: Nylon 66 UL94V-2
Pin/Pos Material: brass bronze.
2. Plated: Tin-plated 50u" min.
3. Insulation resistance: 1000M ohm/min.
4. Withstand voltage: 1500V AC/minute.
5. Current rating: 5A AC/DC.
6. Voltage rating: 250V AC/DC

				UNLESS OTHERWISE SPECIFIED TOLERANCES	
				3 PLACE ±0.5 ±0.10	
				2 PLACE ±1.5 ±0.25	
				1 PLACE ±2.0 ±0.50	
				ANGLE DIM	
REV.	REVISIONI			DIS	DATE
SCALE	REV.	PAGE:	UNIT	MM	
1/1	A	1	THIRD ANGLE PROJECTION	DWG NO: C5085WV	

EXCON
EXCON TECHNOLOGY COMPANY

PART.NO
 5085xxWV051