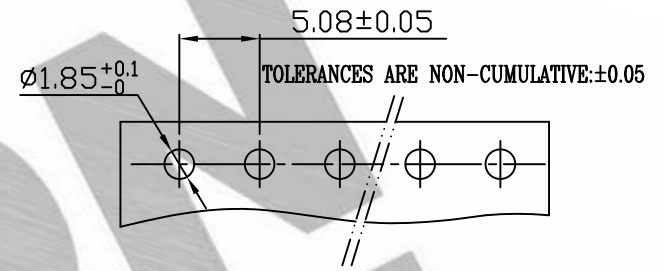
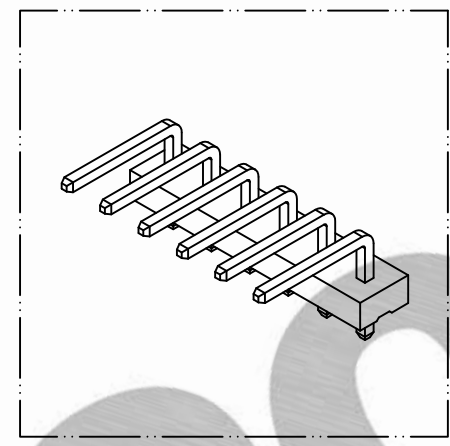
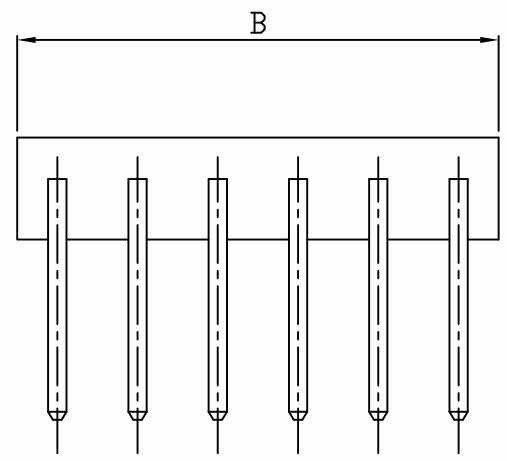
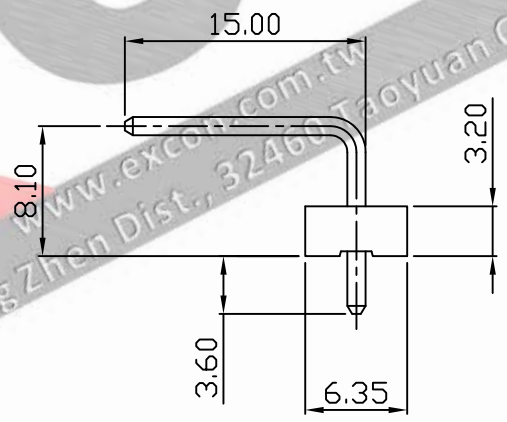
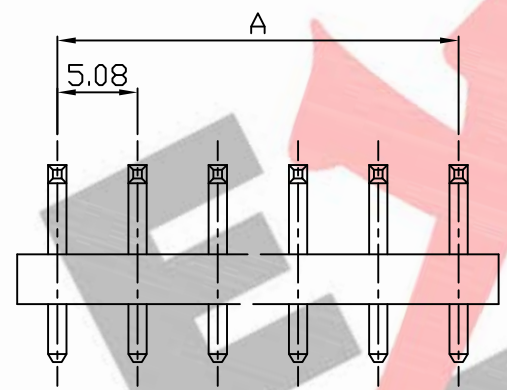


PART NO. 5085xxWB051
 DWG NO. C5085WB



RECOMMENDED PCB LAYOUT
 (PCB THK=1.0~1.6)



Dimensional & Ordering Information:

Part No.	Circuits	Dim A	Dim B
508502WB051	2	5.08	10.16
508503WB051	3	10.16	15.24
508504WB051	4	15.24	20.32
508505WB051	5	20.32	25.40
508506WB051	6	25.40	30.48
508507WB051	7	30.48	35.56
508508WB051	8	35.56	40.64
508509WB051	9	40.64	45.72
508510WB051	10	45.72	50.80
508511WB051	11	50.80	55.88
508512WB051	12	55.88	60.96

NOTE:

1. Wbfer Material: Nylon 66 UL94V-2
Pin/Pos Material: brass bronze.
2. Plated: Tin-plated 50u" min.
3. Insulation resistance: 1000M ohm/min.
4. Withstand voltage: 1500V AC/minute.
5. Current rating: 5A AC/DC.
6. Voltage rating: 250V AC/DC

UNLESS OTHERWISE SPECIFIED TOLERANCES			
3 PLACE ±0.5 ±0.10			
2 PLACE ±1.5 ±0.25			
1 PLACE ±2.0 ±0.50			
ANGLE DIM			
REV.	REVISIONI		DIS DATE
SCALE	REV.	PAGE:	UNIT mm
1/1	A	1	THIRD ANGLE PROJECTION

EXCON
 EXCON TECHNOLOGY COMPANY

PART.NO
 5085xxWB051