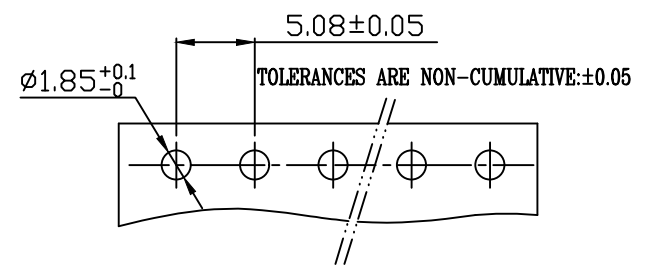
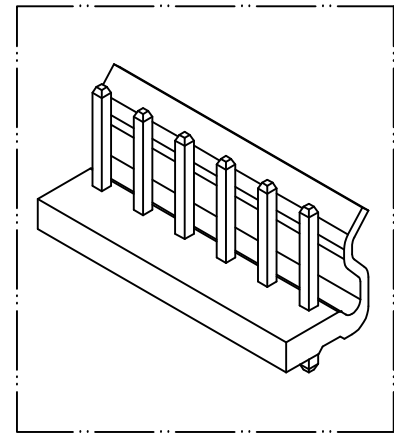
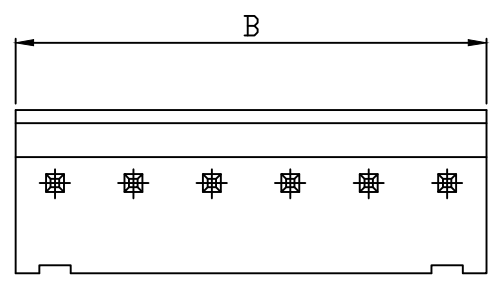
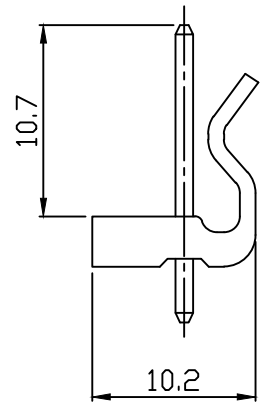
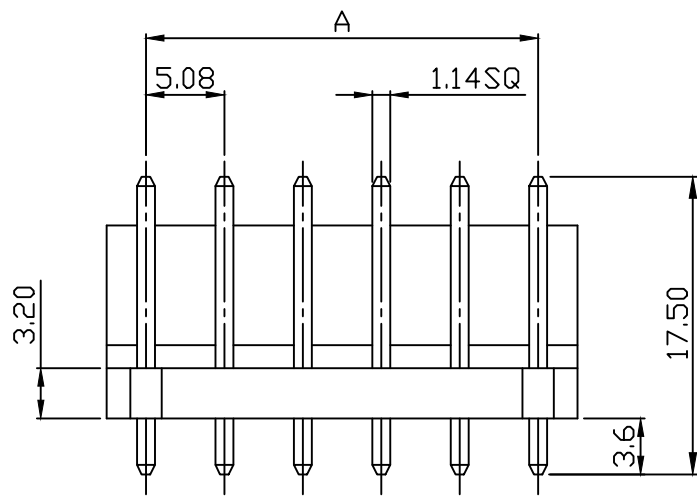


PART NO.  
**5085xxWV051**  
DWG NO.  
**C5085WV**



**RECOMMENDED PCB LAYOUT**  
(PCB THK=1.0~1.6)



**Dimensional & Ordering Information:**

Part No.	Circuits	Dim A	Dim B
508502WV051	2	5.08	10.16
508503WV051	3	10.16	15.24
508504WV051	4	15.24	20.32
508505WV051	5	20.32	25.40
508506WV051	6	25.40	30.48
508507WV051	7	30.48	35.56
508508WV051	8	35.56	40.64
508509WV051	9	40.64	45.72
508510WV051	10	45.72	50.80
508511WV051	11	50.80	55.88
508512WV051	12	55.88	60.96

**NOTE:**

1. Wafer Material: Nylon 66 UL94V-2  
Pin/Pos Material: brass bronze.
2. Plated: Tin-plated 50u"min.
3. Insulation resistance: 1000M ohm/min.
4. Withstand voltage: 1500V AC/minute.
5. Current rating: 5A AC/DC.
6. Voltage rating: 250V AC/DC

				UNLESS OTHERWISE SPECIFIED TOLERANCES		<b>EXCON</b> EXCON TECHNOLOGY COMPANY
				3 PLACE ±0.5 ±0.10		
				2 PLACE ±1.5 ±0.25		
				1 PLACE ±2.0 ±0.50		PART.NO <b>5085xxWV051</b>
				ANGLE DIM		
REV.	REVISIONI		DIS	DATE	DWG NO: <b>C5085WV</b>	
SCALE	REV.	PAGE:	UNIT	mm	PART.NO	
1/1	A	1	THIRD ANGLE PROJECTION			