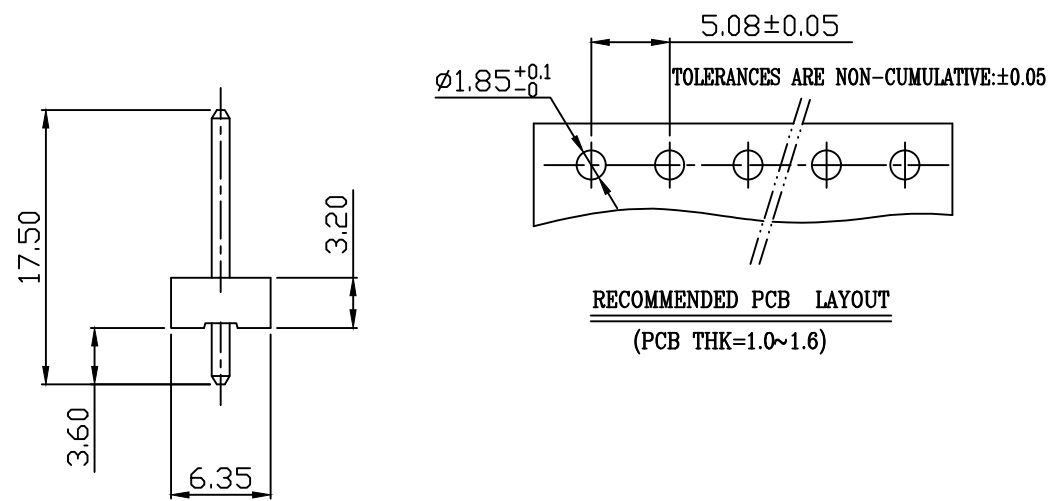
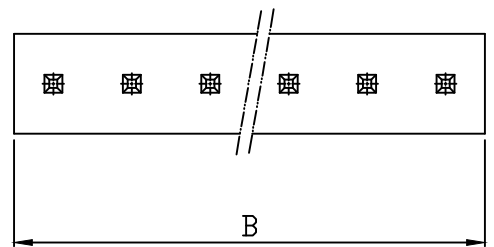
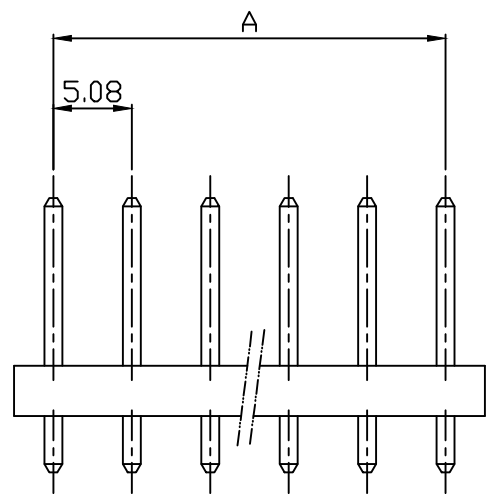
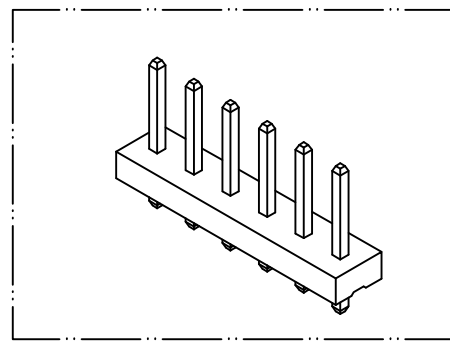


10 9 8 7 6 5 4 3 2 1

PART NO. 5085xxWA051
 DWG NO. C5085WA



RECOMMENDED PCB LAYOUT
 (PCB THK=1.0~1.6)



Dimensional & Ordering Information:

| Part No. | Circuits | Dim A | Dim B |
|-------------|----------|-------|-------|
| 508502WA051 | 2 | 5.08 | 10.16 |
| 508503WA051 | 3 | 10.16 | 15.24 |
| 508504WA051 | 4 | 15.24 | 20.32 |
| 508505WA051 | 5 | 20.32 | 25.40 |
| 508506WA051 | 6 | 25.40 | 30.48 |
| 508507WA051 | 7 | 30.48 | 35.56 |
| 508508WA051 | 8 | 35.56 | 40.64 |
| 508509WA051 | 9 | 40.64 | 45.72 |
| 508510WA051 | 10 | 45.72 | 50.80 |
| 508511WA051 | 11 | 50.80 | 55.88 |
| 508512WA051 | 12 | 55.88 | 60.96 |

NOTE:

1. Wafer Material: Nylon 66 UL94V-2
Pin/Pos Material: brass bronze.
2. Plated: Tin-plated 50u"min.
3. Insulation resistance: 1000M ohm/min.
4. Withstand voltage: 1500V AC/minute.
5. Current rating: 5A AC/DC.
6. Voltage rating: 250V AC/DC

| | | | |
|---------------------------------------|----------|-------|------------------------|
| UNLESS OTHERWISE SPECIFIED TOLERANCES | | | |
| 3 PLACE ± 0.5 ± 0.10 | | | |
| 2 PLACE ± 1.5 ± 0.25 | | | |
| 1 PLACE ± 2.0 ± 0.50 | | | |
| ANGLE DIM | | | |
| REV. | REVISION | | DIS DATE |
| SCALE | REV. | PAGE: | UNIT mm |
| 1/1 | A | 1 | THIRD ANGLE PROJECTION |

EXCON
 EXCON TECHNOLOGY COMPANY

DWG NO: C5085WA
 PART.NO: 5085xxWA051

10 9 8 7 6 5 4 3 2 1