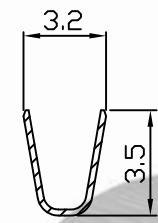
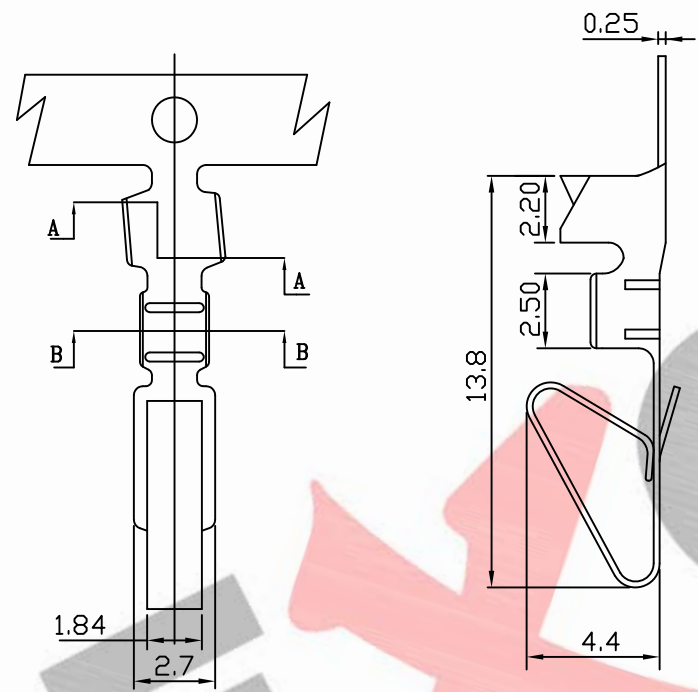
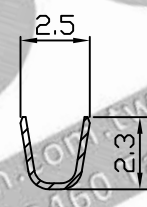


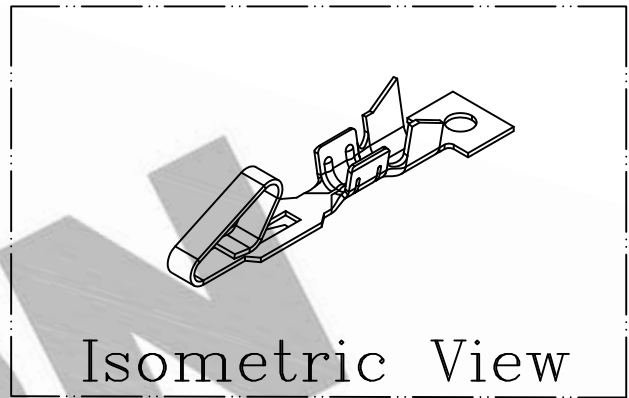
PART NO. 508500TS051  
 DWG NO. C5085TS



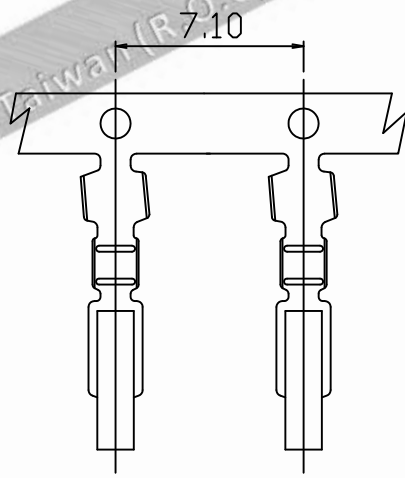
SEC A-A



SEC B-B



Isometric View



( 5 : 1 )

NOTE:

1. Terminal Material: Brass bronze
2. Plated: Tin pre-plated 50u"min.
3. Current rating: 5A AC/DC
4. Voltage rating: 250V AC/DC
5. Withstand voltage: 1000V AC/minute
6. Insulation resistance:1000MΩ min
7. Applicable wires: AWG#18-#24
8. Insulation O.D.: 1.2~2.8mm
9. Q'ty / reel: 7,000pcs

				UNLESS OTHERWISE SPECIFIED TOLERANCES	
				3 PLACE ±0.5 ±0.10	
				2 PLACE ±1.5 ±0.25	
				1 PLACE ±2.0 ±0.50	
				ANGLE DIM	
A	DWG RELEASE			Christy	3/7 2016
REV.	REVISIONI			DIS	DATE
SCALE	REV.	PAGE:	UNIT	mm	
8/1	A	1/1	THIRD ANGLE PROJECTION		
				DWG NO:	
				C5085TS	

**EXCON**

EXCON TECHNOLOGY COMPANY

PART.NO

508500TS051