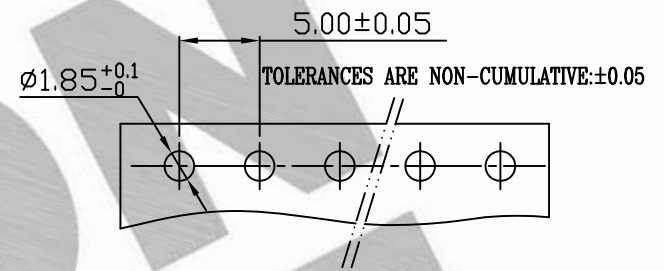
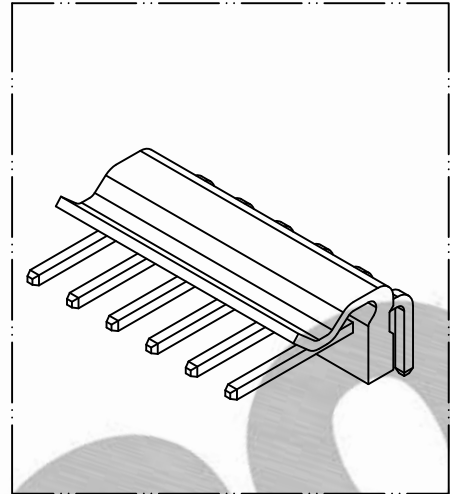
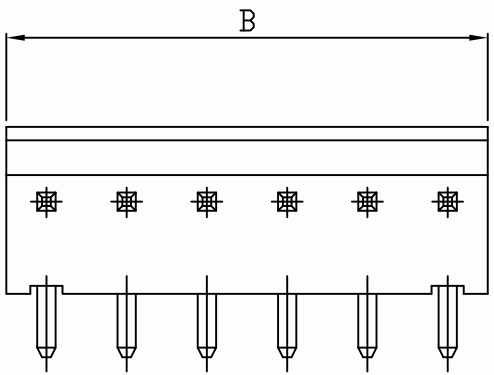
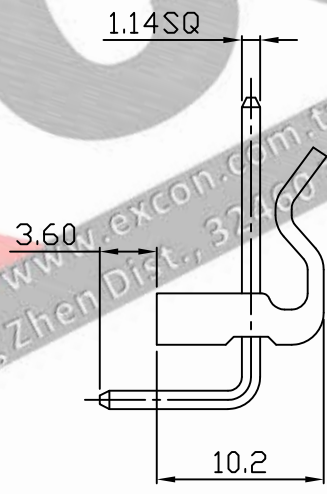
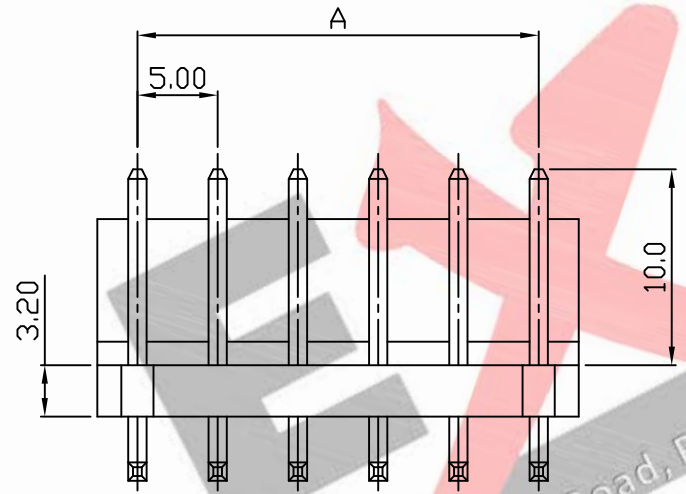


PART NO. 5084xxWR051
 DWG NO. C5084WR



RECOMMENDED PCB LAYOUT
 (PCB THK=1.0~1.6)



Dimensional & Ordering Information:

Part No.	Circuits	Dim A	Dim B
508402WR051	2	5.00	10.00
508403WR051	3	10.00	15.00
508404WR051	4	15.00	20.00
508405WR051	5	20.00	25.00
508406WR051	6	25.00	30.00
508407WR051	7	30.00	35.00
508408WR051	8	35.00	40.00
508409WR051	9	40.00	45.00
508410WR051	10	45.00	50.00
508411WR051	11	50.00	55.00
508412WR051	12	55.00	60.00

NOTE:

1. Wafer Material: Nylon 66 UL94V-2
Pin/Pos Material: brass bronze.
2. Plated: Tin-plated 50u" min.
3. Insulation resistance: 1000M ohm/min.
4. Withstand voltage: 1500V AC/minute.
5. Current rating: 5A AC/DC.
6. Voltage rating: 250V AC/DC

UNLESS OTHERWISE SPECIFIED TOLERANCES			
3 PLACE ±0.5 ±0.10			
2 PLACE ±1.5 ±0.25			
1 PLACE ±2.0 ±0.50			
ANGLE DIM			
REV.	REVISION		DIS DATE
SCALE	REV.	PAGE:	UNIT mm
1/1	A	1	THIRD ANGLE PROJECTION

EXCON
 EXCON TECHNOLOGY COMPANY

PART.NO
 5084xxWR051