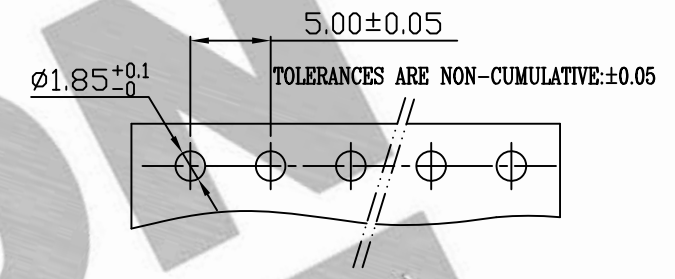
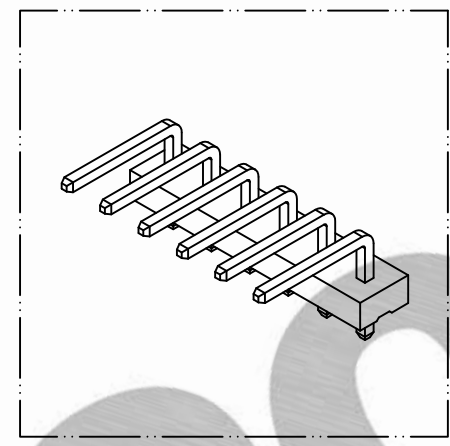
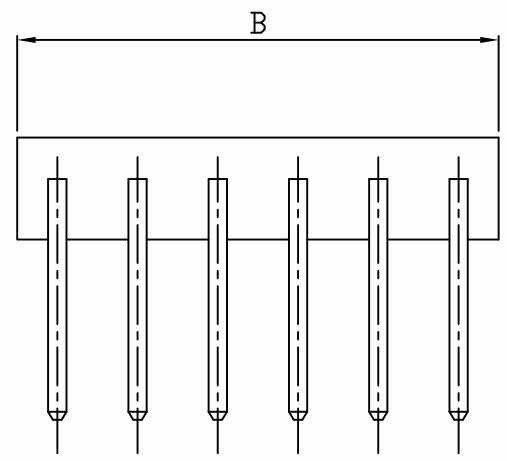
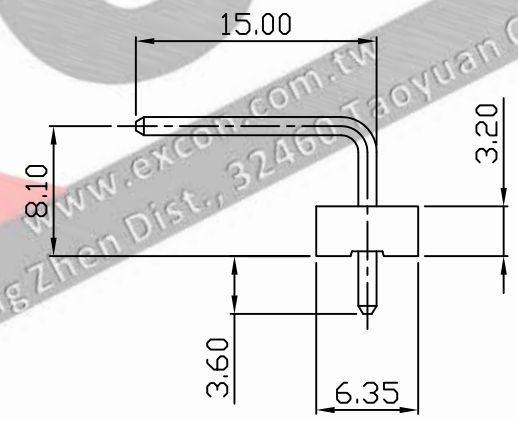
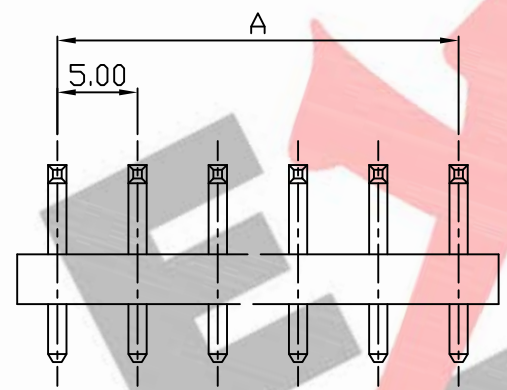


PART NO. 5084xxWB051  
 DWG NO. C5084WB



RECOMMENDED PCB LAYOUT  
 (PCB THK=1.0~1.6)



**Dimensional & Ordering Information:**

Part No.	Circuits	Dim A	Dim B
508402WB051	2	5.00	10.00
508403WB051	3	10.00	15.00
508404WB051	4	15.00	20.00
508405WB051	5	20.00	25.00
508406WB051	6	25.00	30.00
508407WB051	7	30.00	35.00
508408WB051	8	35.00	40.00
508409WB051	9	40.00	45.00
508410WB051	10	45.00	50.00
508411WB051	11	50.00	55.00
508412WB051	12	55.00	60.00

**NOTE:**

1. WBfer Material: Nylon 66 UL94V-2  
Pin/Pos Material: brass bronze.
2. Plated: Tin-plated 50u" min.
3. Insulation resistance: 1000M ohm/min.
4. Withstand voltage: 1500V AC/minute.
5. Current rating: 5A AC/DC.
6. Voltage rating: 250V AC/DC

UNLESS OTHERWISE SPECIFIED TOLERANCES			
3 PLACE $\pm 0.5 \pm 0.10$			
2 PLACE $\pm 1.5 \pm 0.25$			
1 PLACE $\pm 2.0 \pm 0.50$			
ANGLE DIM			
REV.	REVISION		DIS DATE
SCALE	REV.	PAGE:	UNIT mm
1/1	A	1	THIRD ANGLE PROJECTION
DWG NO:			C5084WB

**EXCON**  
 EXCON TECHNOLOGY COMPANY

PART.NO  
 5084xxWB051