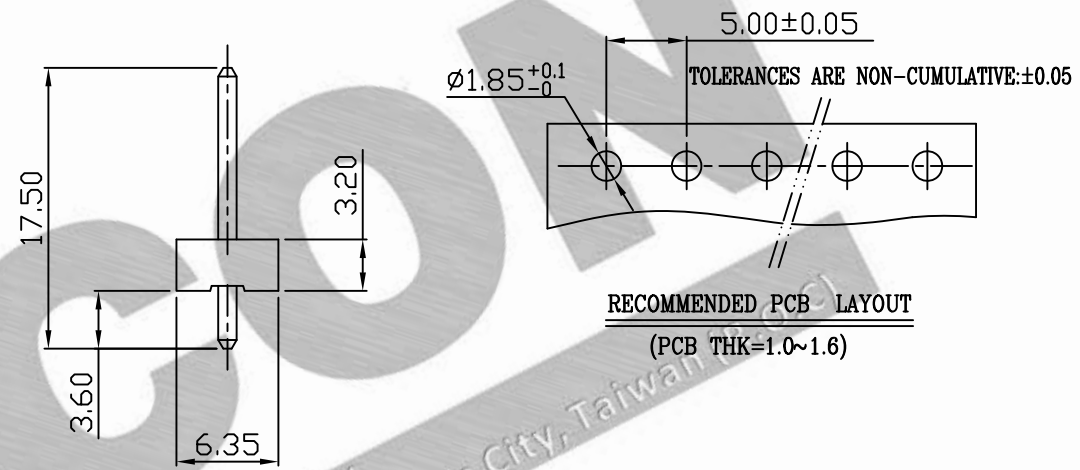
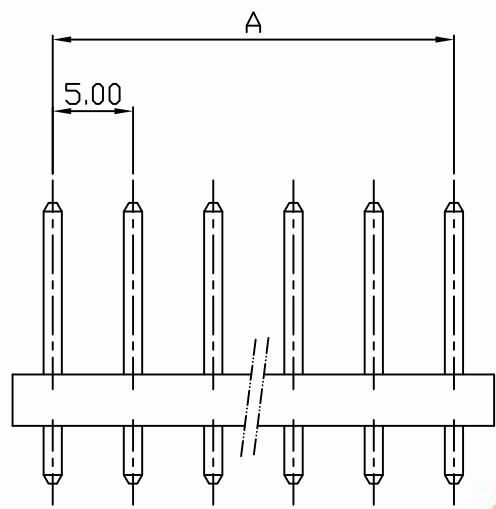
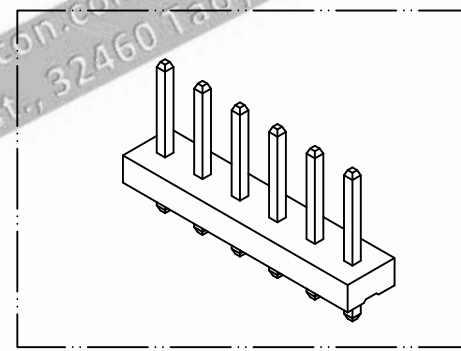
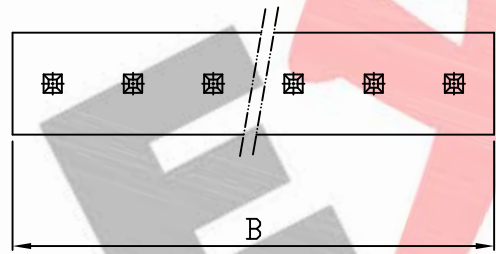


PART NO. 5084xxWA051  
 DWG NO. C5084WA



RECOMMENDED PCB LAYOUT  
 (PCB THK=1.0~1.6)



Dimensional & Ordering Information:

Part No.	Circuits	Dim A	Dim B
508402WA051	2	5.00	10.00
508403WA051	3	10.00	15.00
508404WA051	4	15.00	20.00
508405WA051	5	20.00	25.00
508406WA051	6	25.00	30.00
508407WA051	7	30.00	35.00
508408WA051	8	35.00	40.00
508409WA051	9	40.00	45.00
508410WA051	10	45.00	50.00
508411WA051	11	50.00	55.00
508412WA051	12	55.00	60.00

NOTE:

1. Wafer Material: Nylon 66 UL94V-2  
Pin/Pos Material: brass bronze.
2. Plated: Tin-plated 50u" min.
3. Insulation resistance: 1000M ohm/min.
4. Withstand voltage: 1500V AC/minute.
5. Current rating: 5A AC/DC.
6. Voltage rating: 250V AC/DC

REV.	REVISION		DIS	DATE	UNLESS OTHERWISE SPECIFIED TOLERANCES 3 PLACE ±0.5 ±0.10 2 PLACE ±1.5 ±0.25 1 PLACE ±2.0 ±0.50 ANGLE DIM	
SCALE	REV.	PAGE:	UNIT	mm		DWG NO:
1/1	A	1	THIRD ANGLE PROJECTION			C5084WA

**EXCON**  
 EXCON TECHNOLOGY COMPANY

PART.NO  
 5084xxWA051