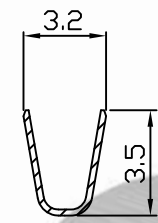
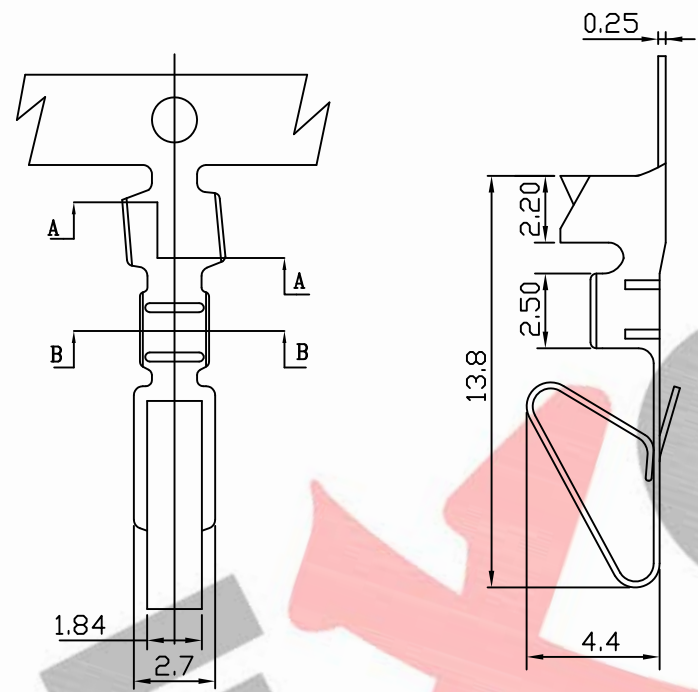
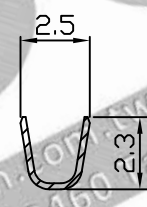


10 9 8 7 6 5 4 3 2 1

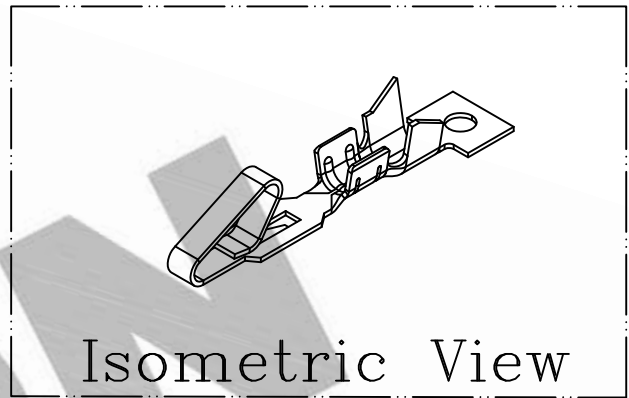
PART NO. 508400TS051  
 DWG NO. C5084TS



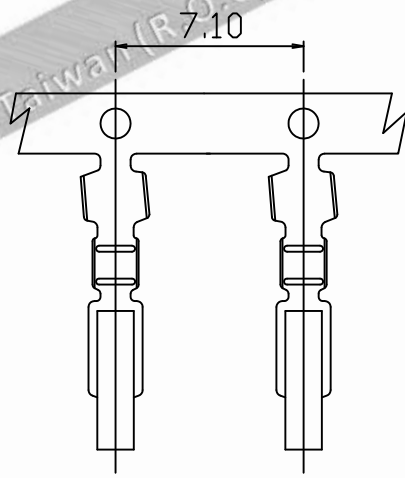
SEC A-A



SEC B-B



Isometric View



( 5 : 1 )

NOTE:

1. Terminal Material: Brass bronze
2. Plated: Tin pre-plated 50u"min.
3. Current rating: 5A AC/DC
4. Voltage rating: 250V AC/DC
5. Withstand voltage: 1000V AC/minute
6. Insulation resistance:1000MΩ min
7. Applicable wires: AWG#18-#24
8. Insulation O.D.: 1.2~2.8mm
9. Q'ty / reel: 7,000pcs

				UNLESS OTHERWISE SPECIFIED TOLERANCES		<b>EXCON</b>
				3 PLACE ±0.5 ±0.10		
				2 PLACE ±1.5 ±0.25		<u>EXCON TECHNOLOGY COMPANY</u>
				1 PLACE ±2.0 ±0.50		
				ANGLE DIM		
A	DWG RELEASE			Christy	3/7 2016	
REV.	REVISIONI			DIS	DATE	
SCALE	REV.	PAGE:	UNIT	mm		DWG NO:
8/1	A	1/1	THIRD ANGLE	PROJECTION		C5084TS

PART.NO		508400TS051
---------	--	-------------

www.excon.com.tw  
 89, Xing Long Road, Ping Zhen Dist. 32460 Taoyuan City, Taiwan (R.O.C)

10 9 8 7 6 5 4 3 2 1