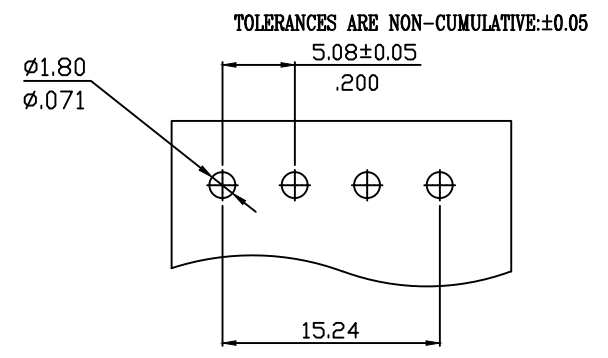
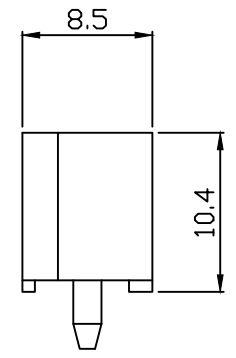
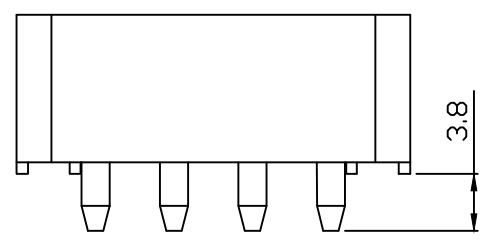
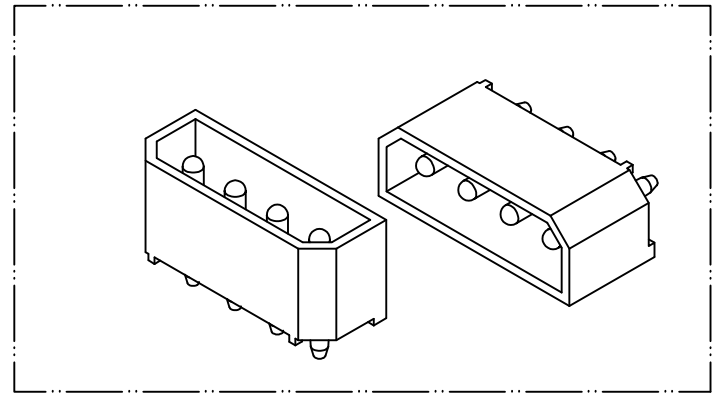
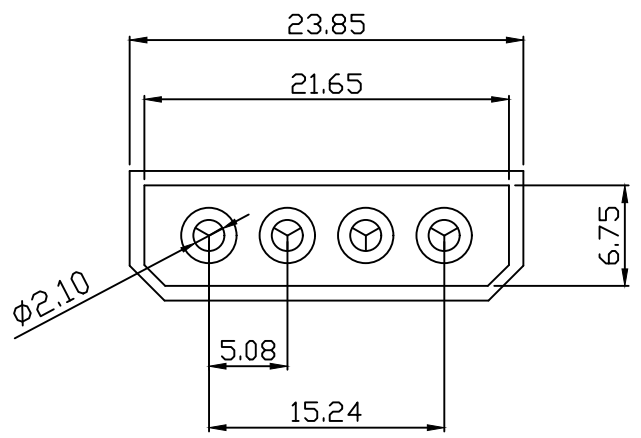


PART NO. 508304WV051  
 DWG NO. C5083WV



**RECOMMENDED PCB LAYOUT**  
 (PCB T=1.0~1.6mm)

**NOTE:**

1. Wafer Material: Nylon 66 UL94V2  
Pin/Pos Material: brass bronze.
2. Plated: Tin-plated 50u"min.
3. Insulation resistance: 1000MΩ min.
4. Withstand voltage: 1500V AC/minute.
5. Current rating: 5A AC/DC.
6. Voltage rating: 250V AC/DC

				UNLESS OTHERWISE SPECIFIED TOLERANCES		<b>EXCON</b> EXCON TECHNOLOGY COMPANY
				3 PLACE $\pm 0.5$ $\pm 0.10$		
				2 PLACE $\pm 1.5$ $\pm 0.25$		
				1 PLACE $\pm 2.0$ $\pm 0.50$		
				ANGLE DIM		
REV.	REVISION			DIS	DATE	
SCALE	REV.	PAGE:	UNIT	mm		DWG NO:
3/1	A	1	THIRD ANGLE PROJECTION			C5083WV
					DWG NO:	PART.NO
					C5083WV	508304WV051