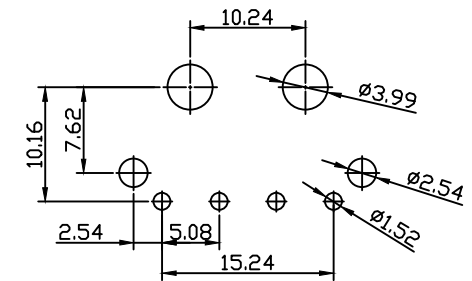
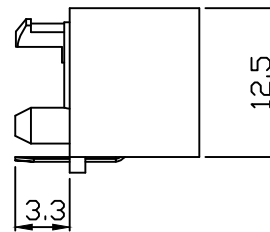
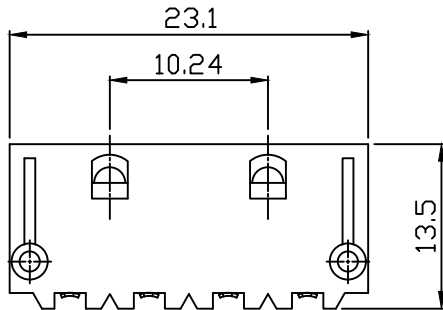
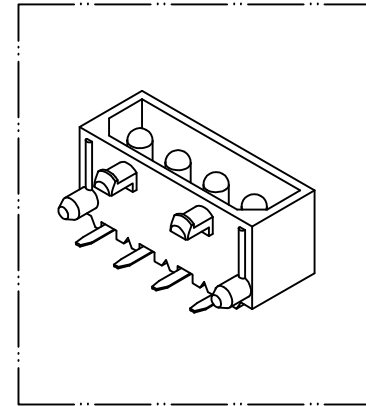
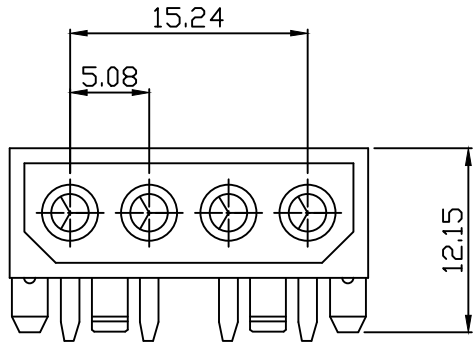


PART NO. 508304WR051  
 DWG NO. C5083WR



**RECOMMENDED PCB LAYOUT**  
 (PCB T=0.8~1.6mm)

1. Wafer Material: Nylon 66 UL94V2  
Pin/Pos Material: brass bronze.
2. Plated: Tin-plated 50u"min.
3. Insulation resistance: 1000MΩ min.
4. Withstand voltage: 1500V AC/minute.
5. Current rating: 5A AC/DC.
6. Voltage rating: 250V AC/DC

				UNLESS OTHERWISE SPECIFIED TOLERANCES		<b>EXCON</b> EXCON TECHNOLOGY COMPANY
				3 PLACE ±0.5 ±0.10		
				2 PLACE ±1.5 ±0.25		PART.NO
				1 PLACE ±2.0 ±0.50		
				ANGLE DIM		PART.NO
REV.	REVISION		DIS	DATE		
SCALE	REV.	PAGE:	UNIT	mm		PART.NO
3/1	A	1	THIRD ANGLE PROJECTION	C5083WR		
				DWG NO:		508304WR051