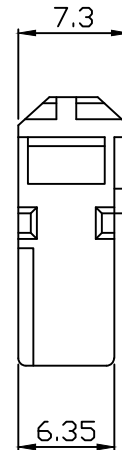
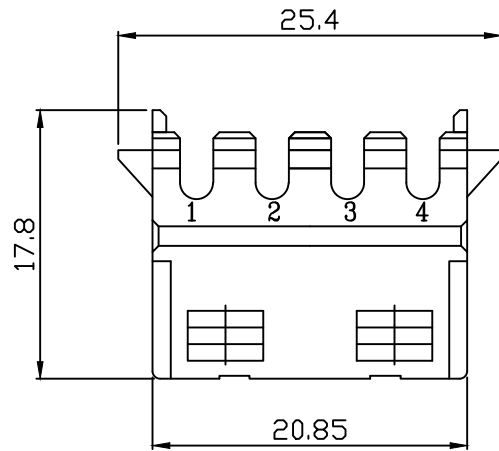
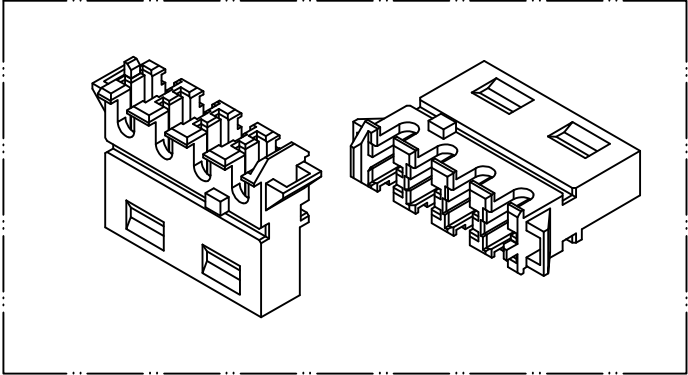
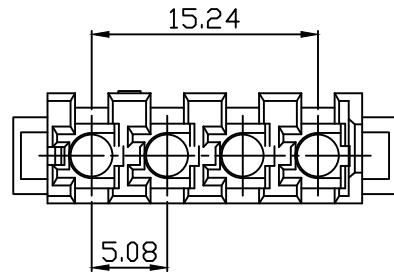


PART NO.
508304HA051-X
DWG NO.
C5083HA



NOTE:

1. Wafer Material: Nylon 66 UL94V2
Pin/Pos Material:
2. Plated: Tin-plated 50u"min. Ω
3. Insulation resistance: 1000M Ω min.
4. Withstand voltage: 1500V AC/minute.
5. Current rating: 5A AC/DC.
6. Voltage rating: 250V AC/DC
7. Applicable wires: AWG#22~#18

Part NO.	Color	AWG
508304HA051-8	5.08(.200)	18
508304HA051-0	10.16(.400)	20
508304HA051-2	15.24(.600)	22

				UNLESS OTHERWISE SPECIFIED TOLERANCES		EXCON EXCON TECHNOLOGY COMPANY
				3 PLACE ± 0.5 ± 0.10		
				2 PLACE ± 1.5 ± 0.25		PART.NO
				1 PLACE ± 2.0 ± 0.50		
				ANGLE DIM		508304HA051-X
REV.	REVISION		DIS	DATE	DWG NO:	
SCALE	REV.	PAGE:	UNIT	m m	PART.NO	
3/1	A	1	THIRD ANGLE PROJECTION		C5083HA	