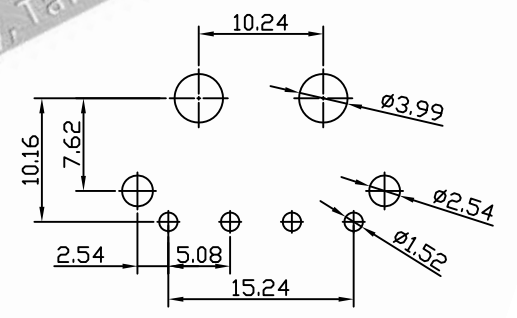
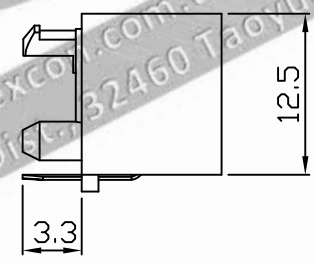
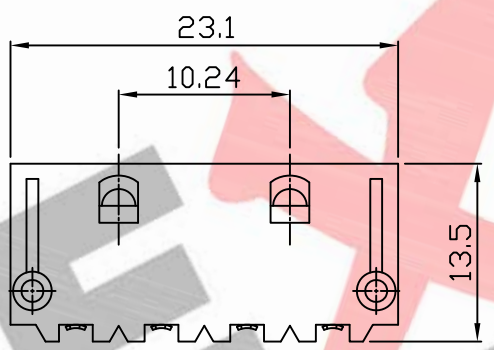
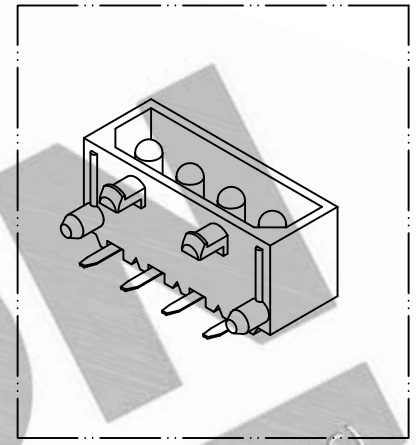
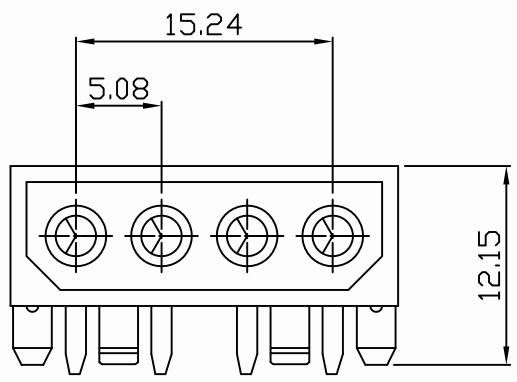


PART NO. 508304WR051
 DWG NO. C5083WR



RECOMMENDED PCB LAYOUT
 (PCB T=0.8~1.6mm)

1. Wafer Material: Nylon 66 UL94V2
Pin/Pos Material: brass bronze.
2. Plated: Tin-plated 50u"min.
3. Insulation resistance: 1000M Ω min.
4. Withstand voltage: 1500V AC/minute.
5. Current rating: 5A AC/DC.
6. Voltage rating: 250V AC/DC

				UNLESS OTHERWISE SPECIFIED TOLERANCES		EXCON
				3 PLACE ± 0.5 ± 0.10		
				2 PLACE ± 1.5 ± 0.25		<u>EXCON TECHNOLOGY COMPANY</u>
				1 PLACE ± 2.0 ± 0.50		
REV.	REVISION I			DIS	DATE	
SCALE	REV.	PAGE:	UNIT	mm		DWG NO:
3/1	A	1	THIRD ANGLE PROJECTION			C5083WR
					PART.NO	
					508304WR051	