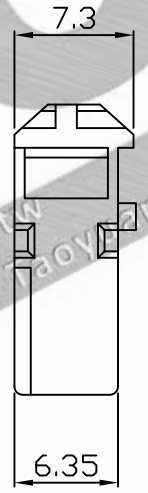
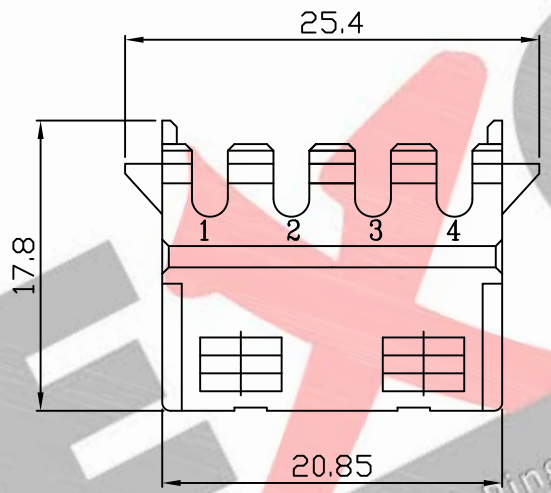
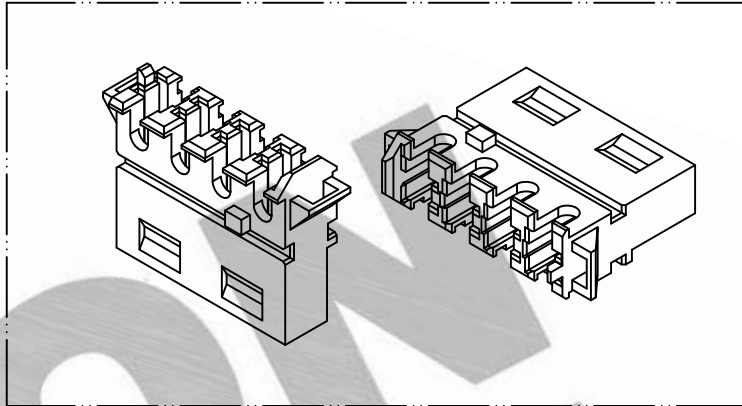
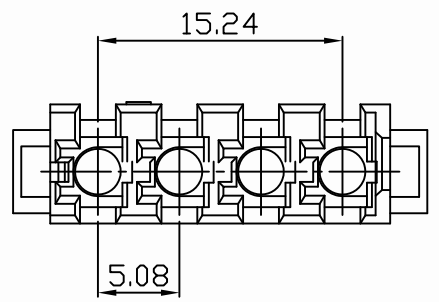


10 9 8 7 6 5 4 3 2 1

PART NO.
508304HA051-x
DWG NO.
C5083HA



NOTE:

1. Wafer Material: Nylon 66 UL94V2
- Pin/Pos Material:
2. Plated: Tin-plated 50u"min. Ω
3. Insulation resistance: 1000M min.
4. Withstand voltage: 1500V AC/minute.
5. Current rating: 5A AC/DC.
6. Voltage rating: 250V AC/DC
7. Applicable wires: AWG#22~#18

Part NO.	Color	AWG
508304HA051-8	5.08(.200)	18
508304HA051-0	10.16(.400)	20
508304HA051-2	15.24(.600)	22

				UNLESS OTHERWISE SPECIFIED TOLERANCES		 EXCON TECHNOLOGY COMPANY
				3 PLACE ±0.5 ±0.10		
				2 PLACE ±1.5 ±0.25		
				1 PLACE ±2.0 ±0.50		
				ANGLE DIM		
REV.	REVISION			DIS	DATE	
SCALE	REV.	PAGE:	UNIT	mm		DWG NO:
3/1	A	1	THIRD ANGLE PROJECTION			C5083HA
					PART.NO	
					508304HA051-x	

F
E
D
C
B
A

F
E
D
C
B
A

10 9 8 7 6 5 4 3 2 1