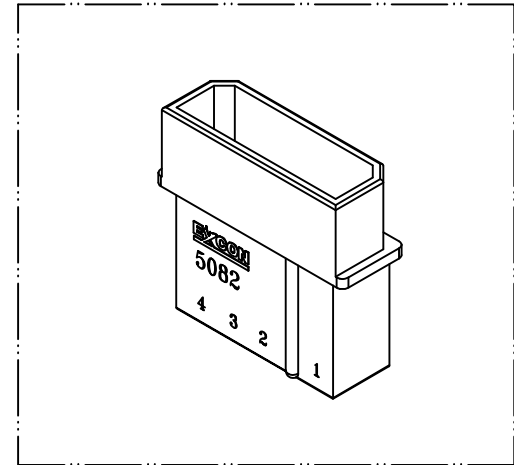
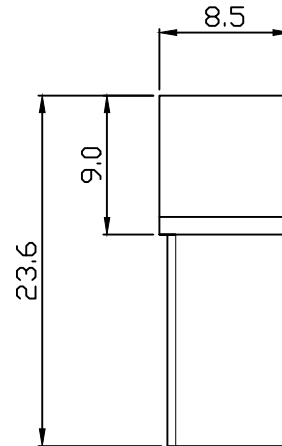
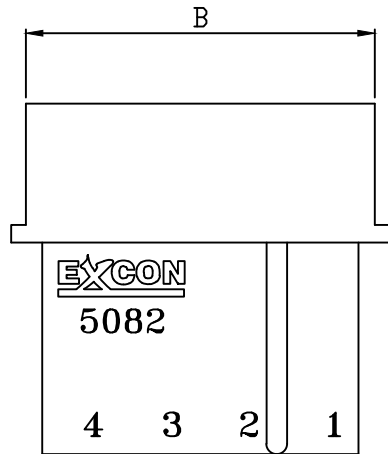
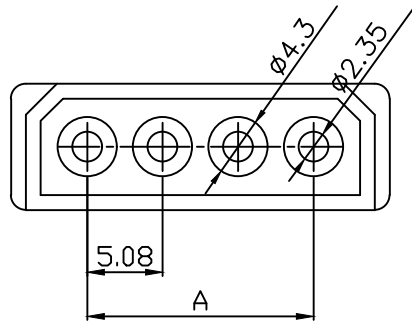


PART NO. 5082xxHA051  
 DWG NO. C5082HA



NOTE:

1. Housing Material: Nylon 66 UL94V-2
2. Insulation resistance: 1000M $\Omega$  min.
3. Withstand voltage: 1500V AC/minute.
4. Current rating: 5A AC/DC.
5. Voltage rating: 250V AC/DC

Circuits	Part NO.	Dimension mm	
		A	B
2	508202HA051	5.08	13.50
3	508203HA051	10.16	18.42
4	508204HA051	15.24	23.50

REV.	REVISION	DIS	DATE

UNLESS OTHERWISE SPECIFIED TOLERANCES  
 3 PLACE  $\pm 0.5 \pm 0.10$   
 2 PLACE  $\pm 1.5 \pm 0.25$   
 1 PLACE  $\pm 2.0 \pm 0.50$   
 ANGLE DIM

**EXCON**  
 EXCON TECHNOLOGY COMPANY

SCALE	REV.	PAGE	UNIT	mm	DWG NO:	PART.NO
1/1	A	1	THIRD ANGLE PROJECTION		C5082HA	5082xxHA051