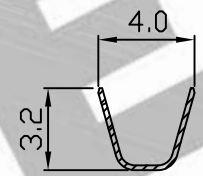
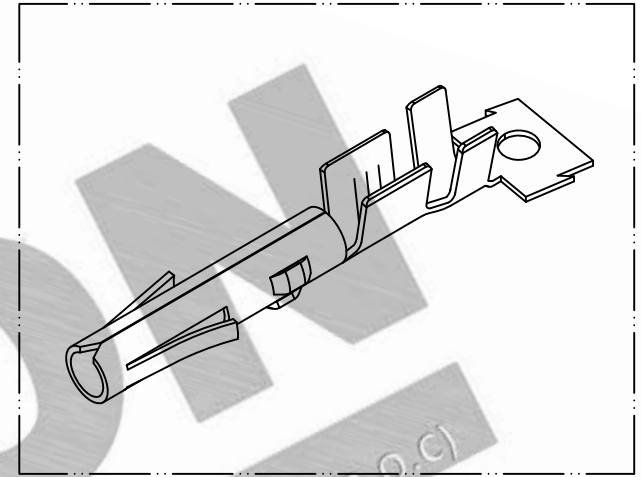
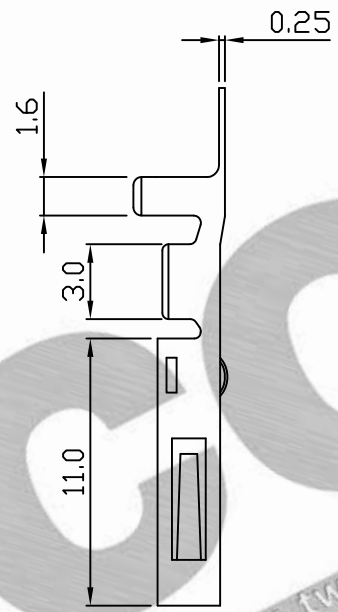
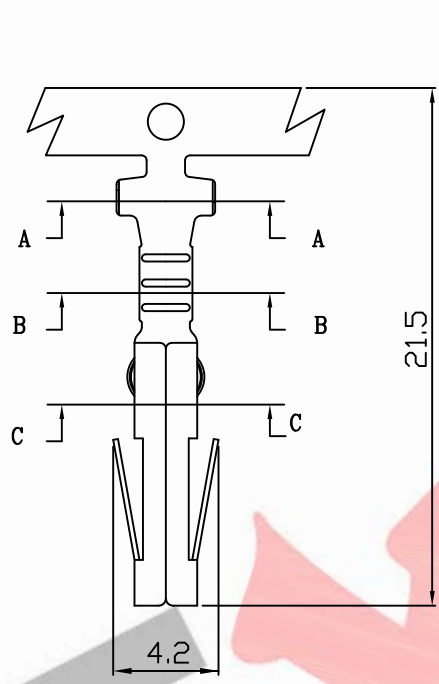
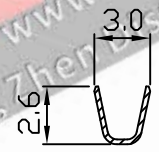


10 9 8 7 6 5 4 3 2 1

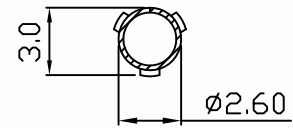
PART NO. 508100TC051
 DWG NO. C5081TC



SEC A-A



SEC A-A



SEC A-A

NOTE:

1. Terminal Material: Brass bronze
2. Plated: Tin-plated 50u"min.
3. Applicable wires: AWG#18-#24
4. Insulation O.D.: 1.3-2.5mm
5. Q'ty/reel: 7,000pcs

UNLESS OTHERWISE SPECIFIED TOLERANCES
 3 PLACE ±0.5 ±0.10
 2 PLACE ±1.5 ±0.25
 1 PLACE ±2.0 ±0.50
 ANGLE DIM



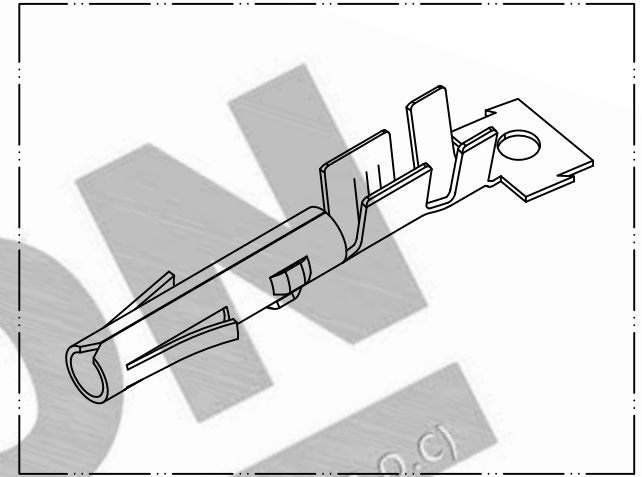
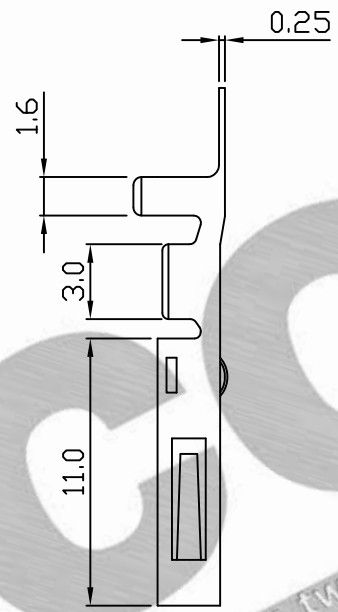
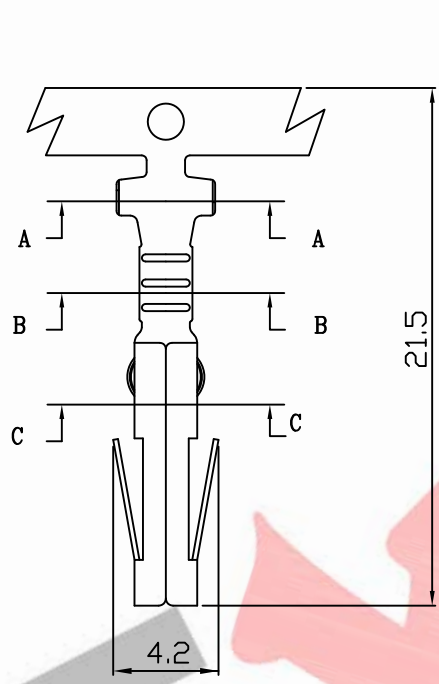
REV.	REVISION	DIS	DATE	SCALE	REV.	PAGE	UNIT	MM	DWG NO:	PART.NO
4/1	A	1					THIRD ANGLE PROJECTION		C5081TC	508100TC051

www.excon.com.tw
 89, Xing Long Road, Ping Zhen Dist., 32460 Taoyuan City, Taiwan (R.O.C)

10 9 8 7 6 5 4 3 2 1

10 9 8 7 6 5 4 3 2 1

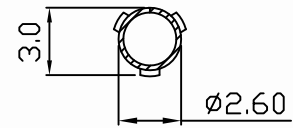
PART NO. 508100TC351
 DWG NO. C5081TC



SEC A-A



SEC A-A



SEC A-A

NOTE:

1. Terminal Material: Phosphor
2. Plated: Tin-plated 50u"min.
3. Applicable wires: AWG#18-#24
4. Insulation O.D.: 1.3-2.5mm
5. Q'ty/reel: 7,000pcs

UNLESS OTHERWISE SPECIFIED TOLERANCES
 3 PLACE ±0.5 ±0.10
 2 PLACE ±1.5 ±0.25
 1 PLACE ±2.0 ±0.50
 ANGLE DIM

EXCON
 EXCON TECHNOLOGY COMPANY

PART.NO
 508100TC351

REV.	REVISION	DIS	DATE
SCALE	REV.	PAGE:	UNIT
4/1	A	1	MM

THIRD ANGLE PROJECTION

DWG NO: C5081TC

www.excon.com.tw
 89, Xing Long Road, Ping Zhen Dist., 32460 Taoyuan City, Taiwan (R.O.C)

10 9 8 7 6 5 4 3 2 1