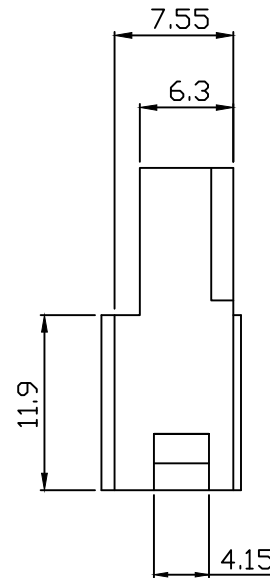
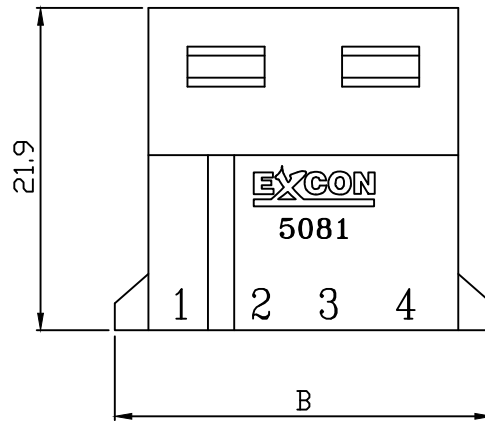
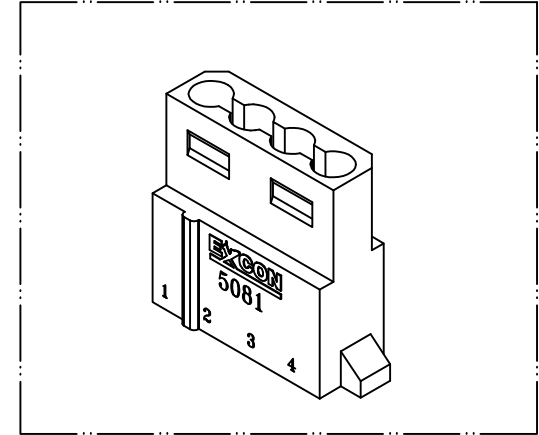
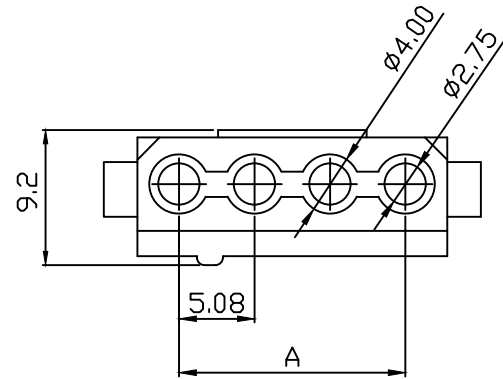


PART NO. 5081xxHA051
 DWG NO. C5081HA



NOTE:

1. Housing Material: Nylon 66 UL94V-2
2. Insulation resistance: 1000MΩ min.
3. Withstand voltage: 1500V AC/minute.
4. Current rating: 5A AC/DC.
5. Voltage rating: 250V AC/DC

Circuits	Part NO.	Dimension mm	
		A	B
2	508102HA051	5.08	13.50
3	508103HA051	10.16	21.12
4	508104HA051	15.24	26.20

REV.	REVISION	DIS	DATE
SCALE	REV.	PAGE	UNIT
1/1	A	1	mm

UNLESS OTHERWISE SPECIFIED TOLERANCES
 3 PLACE ±0.5 ±0.10
 2 PLACE ±1.5 ±0.25
 1 PLACE ±2.0 ±0.50
 ANGLE DIM

EXCON
 EXCON TECHNOLOGY COMPANY

DWG NO:	C5081HA	PART NO:	5081xxHA051
---------	---------	----------	-------------