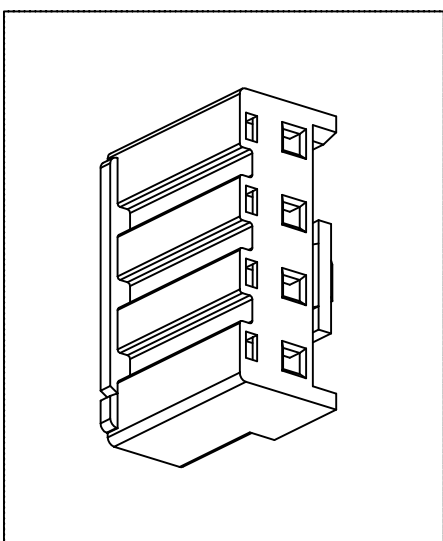
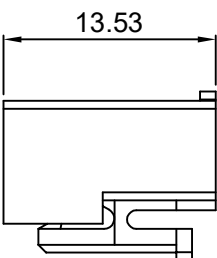
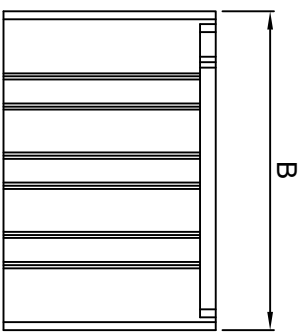
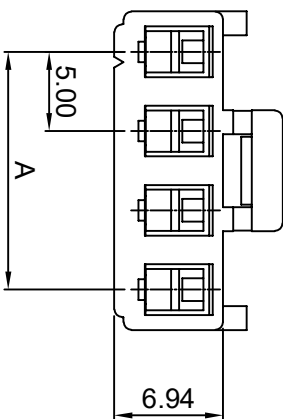


PART NO.
5001xxHA001
DWG NO.
C5001HA



Dimensional & Ordering Information:

| Part No. | Circuits | Dim A | Dim B |
|-------------|----------|-------|-------|
| 500102HA001 | 2 | 5.00 | 10.00 |
| 500103HA001 | 3 | 10.00 | 15.00 |
| 500104HA001 | 4 | 15.00 | 20.00 |
| 500105HA001 | 5 | 20.00 | 25.00 |
| 500106HA001 | 6 | 25.00 | 30.00 |

NOTE:

1. Housing Material: Nylon 66 UL94V-0
2. Insulation resistance: 1000M ohm/min.
3. Withstand voltage: 1500V AC/minute.
4. Current rating: 5A AC/DC.
5. Voltage rating: 250V AC/DC

| REV. | REVISION | DIS | DATE |
|------|----------|-----|------|
| | | | |
| | | | |
| | | | |

UNLESS OTHERWISE SPECIFIED TOLERANCES
 3 PLACE ±0.5 ±0.10
 2 PLACE ±1.5 ±0.25
 1 PLACE ±2.0 ±0.50
 ANGLE DIM



EXCON TECHNOLOGY COMPANY

| SCALE | REV. | PAGE | UNIT | THIRD ANGLE PROJECTION |
|-------|------|------|------|------------------------|
| 2/1 | A | 1 | mm | |

DWG NO: C5001HA

PART NO: 5001xxHA001

