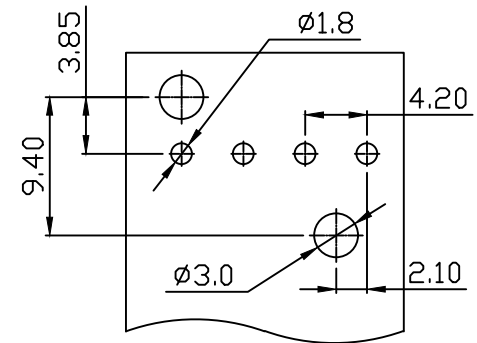
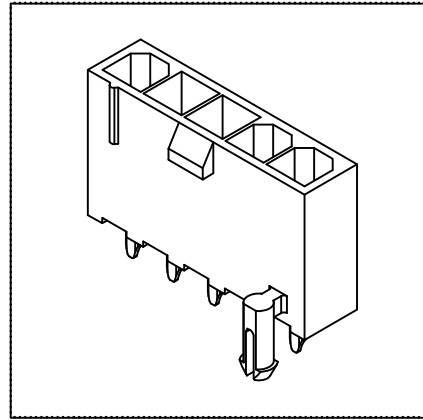
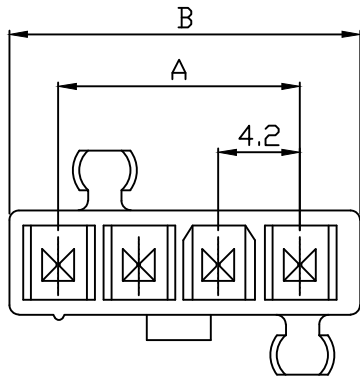
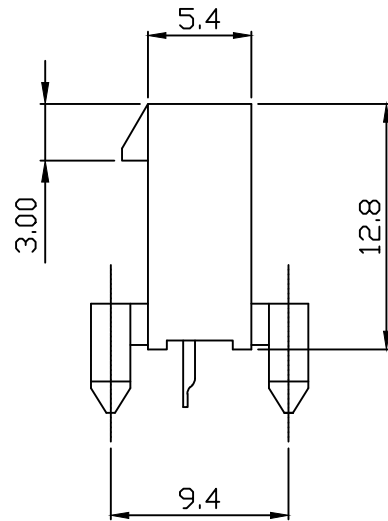
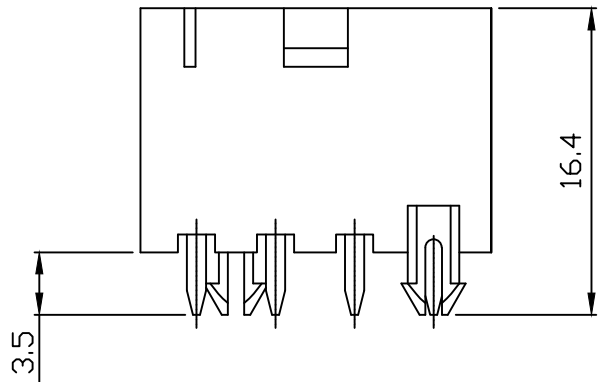


PART NO. 4202xxWS0xx  
 DWG NO. C4202WS



Panel Layout



Dimensional & Ordering Information:

Part No.		Circuits	Dim A	Dim B
NY66 UL94V0	NY66 UL94V2			
420202WS001	420202WS051	2	4.2	9.6
420203WS001	420203WS051	3	8.4	13.8
420204WS001	420204WS051	4	12.6	18.0
420205WS001	420205WS051	5	16.8	22.2

NOTE:

1. Housing Material: Nylon 66 UL94V0 or V2
2. Color: Natural
3. Withstand voltage: 1500V AC/minute.
4. Current rating: 5A AC/DC.
5. Voltage rating: 600V AC/DC

REV.	REVISION	DIS	DATE

UNLESS OTHERWISE SPECIFIED TOLERANCES  
 3 PLACE ±0.5 ±0.10  
 2 PLACE ±1.5 ±0.25  
 1 PLACE ±2.0 ±0.50  
 ANGLE DIM

**EXCON**  
 EXCON TECHNOLOGY COMPANY

SCALE	REV.	PAGE:	UNIT	mm	DWG NO:	PART.NO
4/1	A	1	THIRD ANGLE PROJECTION		C4202WS	4202xxWS0xx