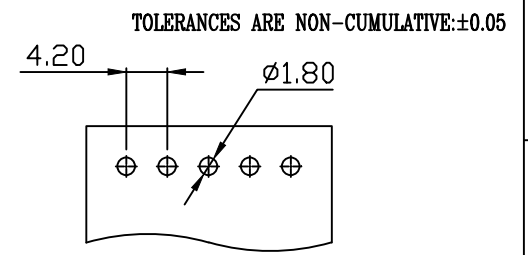
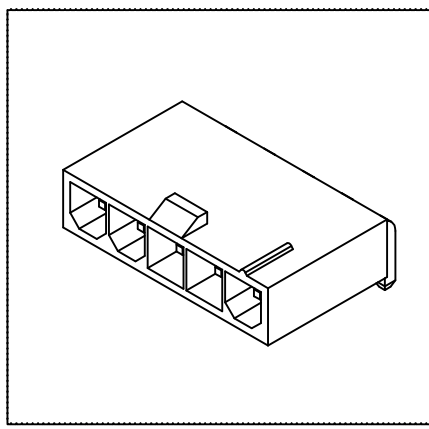
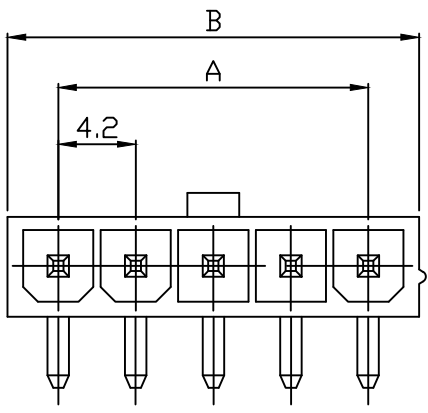
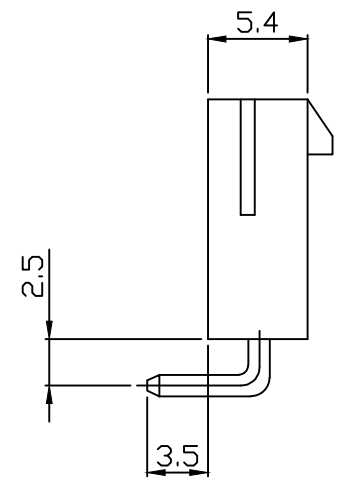
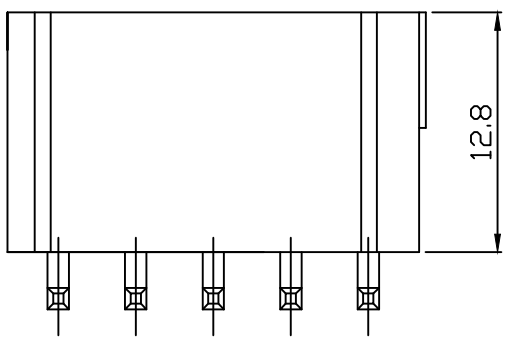


10 9 8 7 6 5 4 3 2 1

PART NO. 4202xxWROxx
 DWG NO. C4202WR



Panel Layout



Dimensional & Ordering Information:

Part No.		Circuits	Dim A	Dim B
NY66 UL94V0	NY66 UL94V2			
420202WR001	420202WR051	2	4.2	9.6
420203WR001	420203WR051	3	8.4	13.8
420204WR001	420204WR051	4	12.6	18.0
420205WR001	420205WR051	5	16.8	22.2

NOTE:

1. Housing Material:Nylon 66 UL94V0 or V2
2. Color: Natural
3. Withstand voltage: 1500V AC/minute.
4. Current rating: 5A AC/DC.
5. Voltage rating: 600V AC/DC

UNLESS OTHERWISE SPECIFIED TOLERANCES
 3 PLACE ±0.5 ±0.10
 2 PLACE ±1.5 ±0.25
 1 PLACE ±2.0 ±0.50
 ANGLE DIM



REV.	REVISION		DIS	DATE
SCALE	REV.	PAGE:	UNIT	mm
4/1	A	1	THIRD ANGLE PROJECTION	

DWG NO:	PART.NO
C4202WR	4202xxWROxx

10 9 8 7 6 5 4 3 2 1