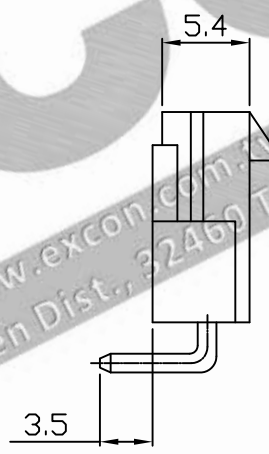
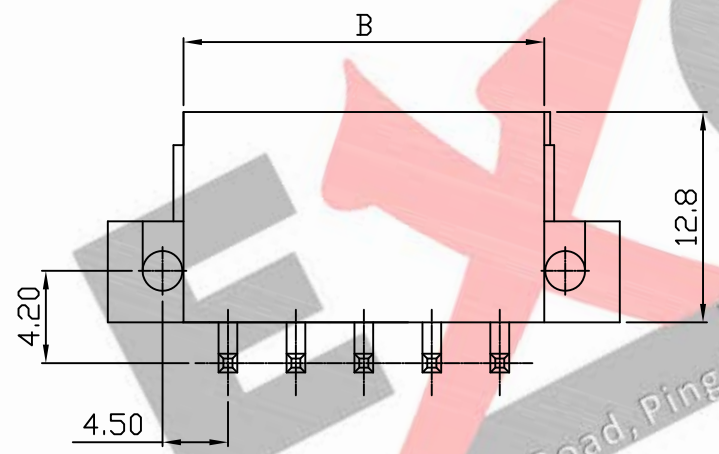
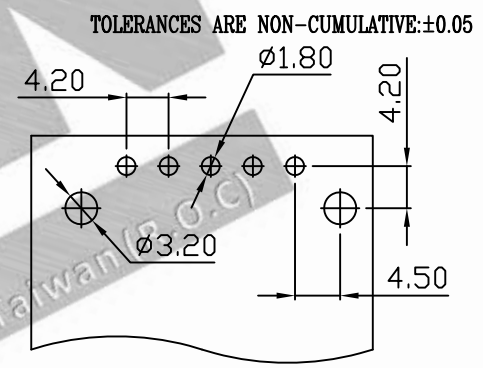
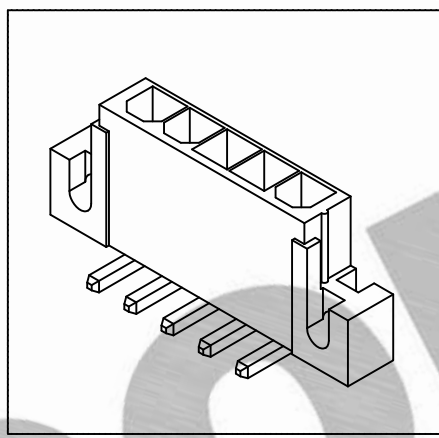
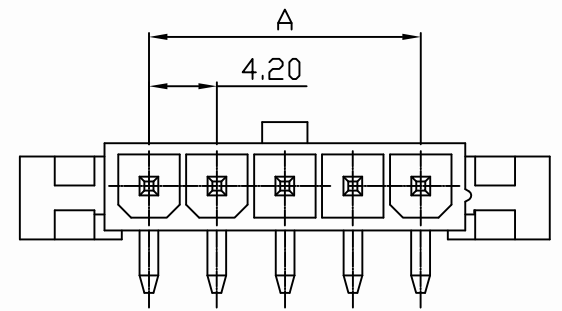


PART NO. 4202xxWHxxx  
 DWG NO. C4202WH



Panel Layout

Dimensional & Ordering Information:

Part No.		Circuits	Dim A	Dim B
NY66 UL94V0	NY66 UL94V2			
420202WH001	420202WH051	2	4.2	9.6
420203WH001	420203WH051	3	8.4	13.8
420204WH001	420204WH051	4	12.6	18.0
420205WH001	420205WH051	5	16.8	22.2

NOTE:

- Housing Material: Nylon 66 UL94V0 or V2
- Color: Natural
- Withstand voltage: 1500V AC/minute.
- Current rating: 5A AC/DC.
- Voltage rating: 600V AC/DC

UNLESS OTHERWISE SPECIFIED TOLERANCES  
 3 PLACE ±0.5 ±0.10  
 2 PLACE ±1.5 ±0.25  
 1 PLACE ±2.0 ±0.50  
 ANGLE DIM



REV.	REVISION			DIS	DATE	DWG NO:	PART.NO
SCALE	REV.	PAGE:	UNIT	mm			
4/1	A	1	THIRD ANGLE PROJECTION			C4202WH	4202xxWHxxx