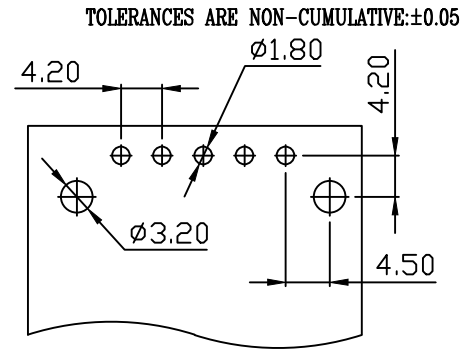
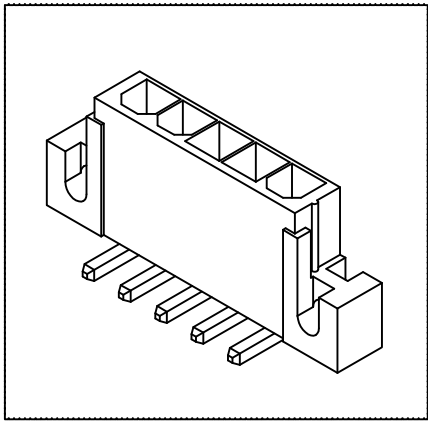
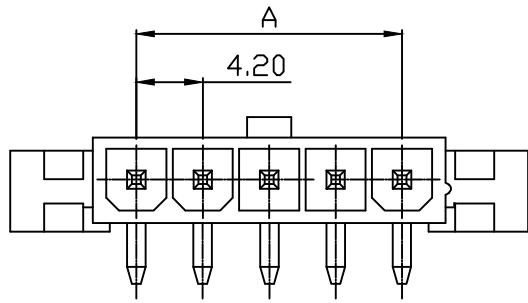
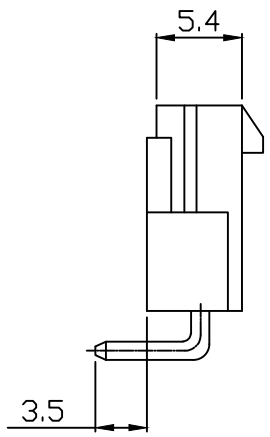
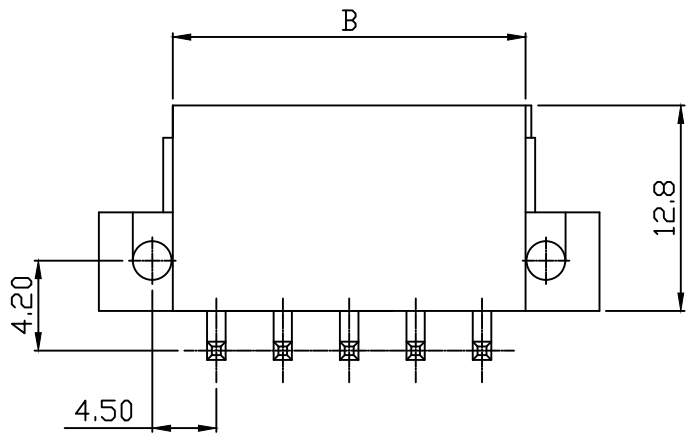


10 9 8 7 6 5 4 3 2 1

PART NO.
4202xxWHOxx
DWG NO.
C4202WH



Panel Layout



Dimensional & Ordering Information:

Part No.		Circuits	Dim A	Dim B
NY66 UL94V0	NY66 UL94V2			
420202WH001	420202WH051	2	4.2	9.6
420203WH001	420203WH051	3	8.4	13.8
420204WH001	420204WH051	4	12.6	18.0
420205WH001	420205WH051	5	16.8	22.2

NOTE:

1. Housing Material: Nylon 66 UL94V0 or V2
2. Color: Natural
3. Withstand voltage: 1500V AC/minute.
4. Current rating: 5A AC/DC.
5. Voltage rating: 600V AC/DC

UNLESS OTHERWISE SPECIFIED TOLERANCES
 3 PLACE ±0.5 ±0.10
 2 PLACE ±1.5 ±0.25
 1 PLACE ±2.0 ±0.50
 ANGLE DIM

EXCON
 EXCON TECHNOLOGY COMPANY

REV.	REVISION	DIS	DATE
SCALE	REV.	PAGE:	UNIT
4/1	A	1	mm

DWG NO:	PART.NO
C4202WH	4202xxWHOxx

10 9 8 7 6 5 4 3 2 1