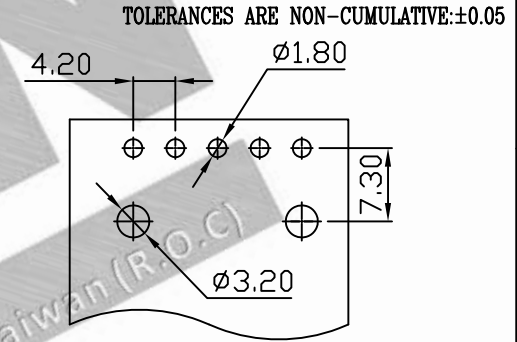
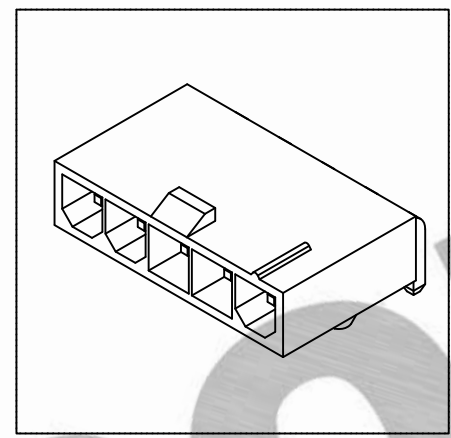
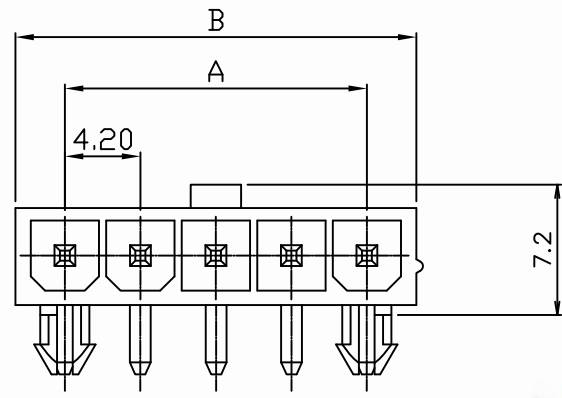
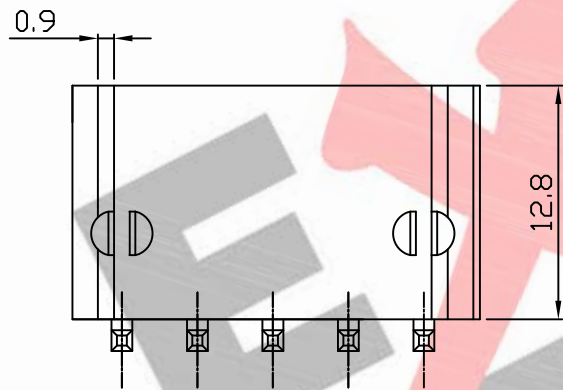


PART NO. 4202xxWFxxx
 DWG NO. C4202WF



Panel Layout



- NOTE:
1. Housing Material:Nylon 66 UL94V0 or V2
 2. Color: Natural
 3. Withstand voltage: 1500V AC/minute.
 4. Current rating: 5A AC/DC.
 5. Voltage rating: 600V AC/DC

Dimensional & Ordering Information:

Part No.		Circuits	Dim A	Dim B
NY66 UL94V0	NY66 UL94V2			
420202WF001	420202WF051	2	4.2	9.6
420203WF001	420203WF051	3	8.4	13.8
420204WF001	420204WF051	4	12.6	18.0
420205WF001	420205WF051	5	16.8	22.2

REV.	REVISIONI		DIS	DATE
SCALE	REV.	PAGE:	UNIT	MM
4/1	A	1	THIRD ANGLE PROJECTION	

UNLESS OTHERWISE SPECIFIED TOLERANCES
 3 PLACE ±0.5 ±0.10
 2 PLACE ±1.5 ±0.25
 1 PLACE ±2.0 ±0.50
 ANGLE DIM

EXCON
 EXCON TECHNOLOGY COMPANY

PART.NO
 4202xxWFxxx