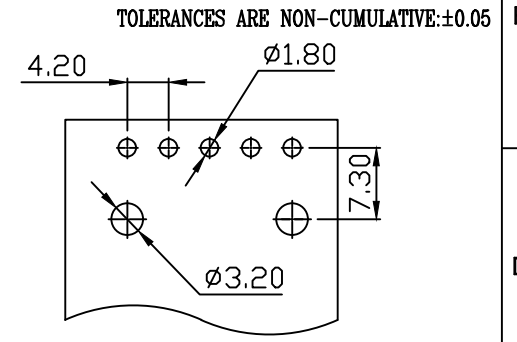
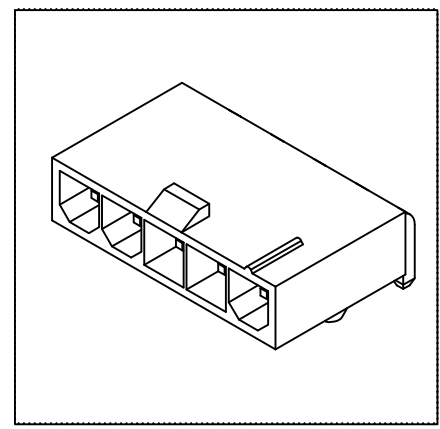
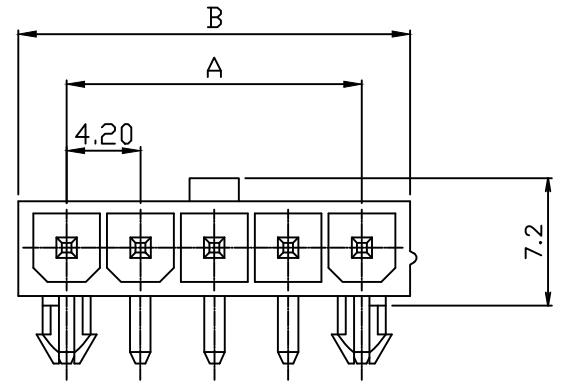
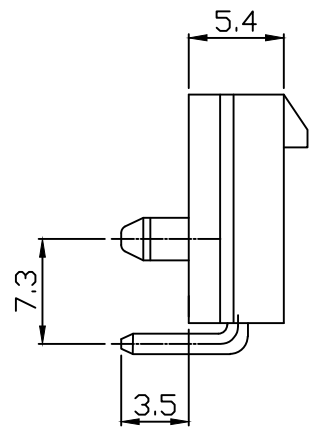
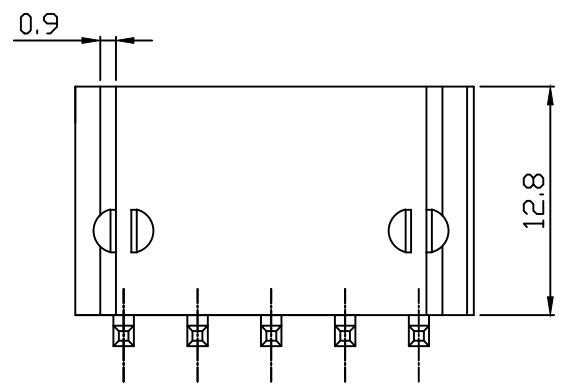


PART NO. 4202xxWFOxx
 DWG NO. C4202WF



Panel Layout



Dimensional & Ordering Information:

Part No.		Circuits	Dim A	Dim B
NY66 UL94V0	NY66 UL94V2			
420202WF001	420202WF051	2	4.2	9.6
420203WF001	420203WF051	3	8.4	13.8
420204WF001	420204WF051	4	12.6	18.0
420205WF001	420205WF051	5	16.8	22.2

NOTE:

1. Housing Material: Nylon 66 UL94V0 or V2
2. Color: Natural
3. Withstand voltage: 1500V AC/minute.
4. Current rating: 5A AC/DC.
5. Voltage rating: 600V AC/DC

REV.	REVISION		DIS	DATE
SCALE	REV.	PAGE:	UNIT	m m
4/1	A	1	THIRD ANGLE PROJECTION	

UNLESS OTHERWISE SPECIFIED TOLERANCES
 3 PLACE ±0.5 ±0.10
 2 PLACE ±1.5 ±0.25
 1 PLACE ±2.0 ±0.50
 ANGLE DIM



DWG NO:	C4202WF	PART.NO	4202xxWFOxx
---------	---------	---------	-------------