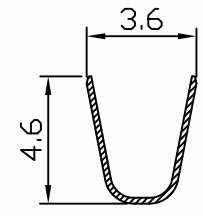
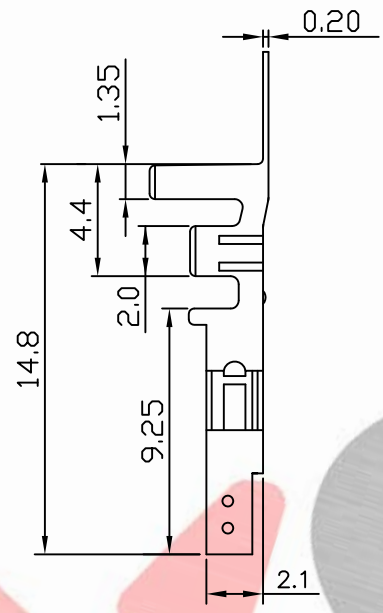
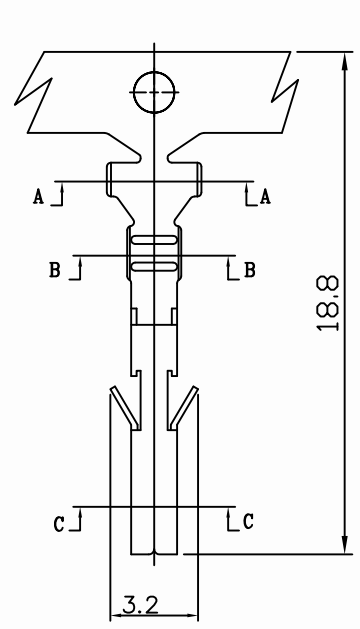
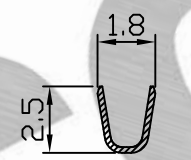


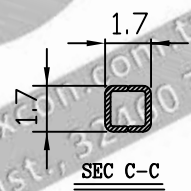
PART NO. 420200TBxxx
 DWG NO. C4202TB



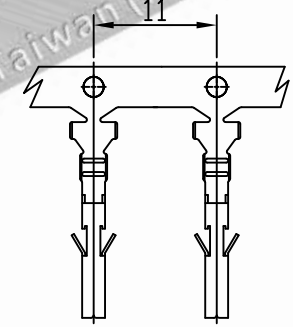
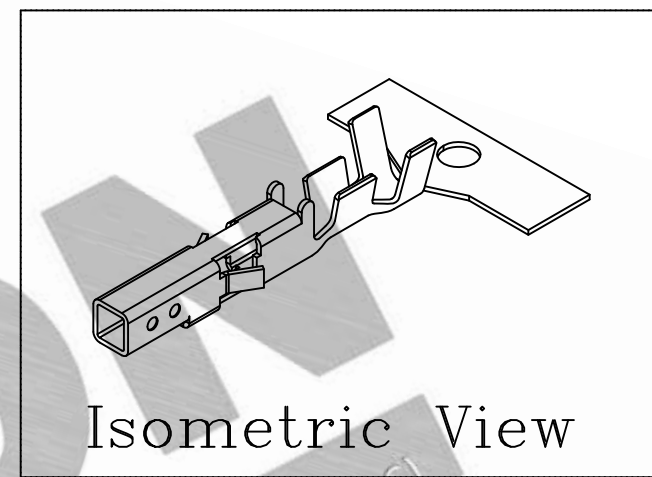
SEC A-A



SEC B-B



SEC C-C



- NOTE:
- Terminal Material: Brass bronze or Phosphor bronze
 - Plated: Tin pre-plated 50u"min.
 - Current rating: 5A AC/DC
 - Voltage rating: 600V AC/DC
 - Withstand voltage: 1500V AC/minute
 - Insulation resistance: 1000MΩ min
 - Insulation O.D.: 1.1~2.1mm
 - Q'ty / reel: 4,000pcs

Dimensional & Ordering Information:

No.	Part No.	Wire Range	Material	Finishing
1	420200TB051	AWG#24~#18	Brass	Tin pre-plated
2	420200TB351	AWG#24~#18	Phosphor	Tin pre-plated

D	DWG RELEASE		Christy	12/24 2015
C	NOTE:修改 第2項 Tin-Plated → Tin Pre-Plated 新增 第3、4、5、6項及鍍厚T0.2		Christy	5/28 2015
REV.	REVISIONI		DIS	DATE
SCALE	REV.	PAGE:	UNIT	mm
4/1	D	1/1	THIRD ANGLE PROJECTION	

UNLESS OTHERWISE SPECIFIED TOLERANCES
 3 PLACE ±0.5 ±0.10
 2 PLACE ±1.5 ±0.25
 1 PLACE ±2.0 ±0.50
 ANGLE DIM



DWG NO:		PART.NO	
C4202TB		420200TBxxx	