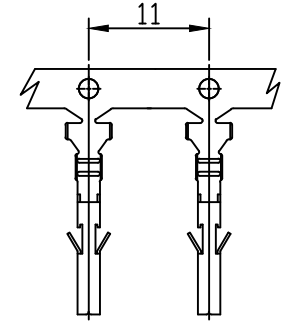
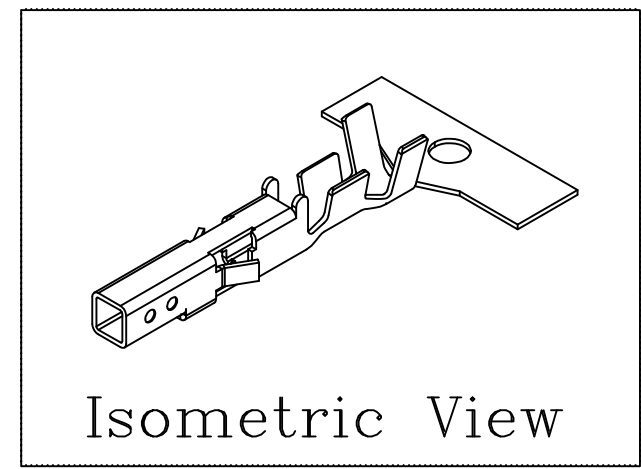
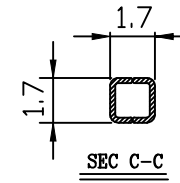
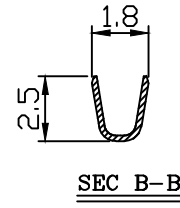
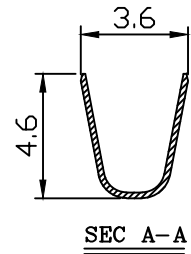
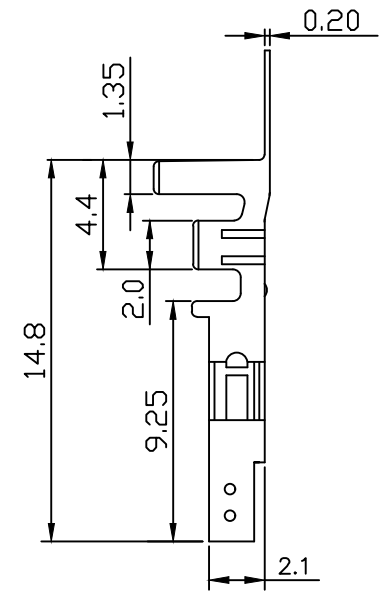
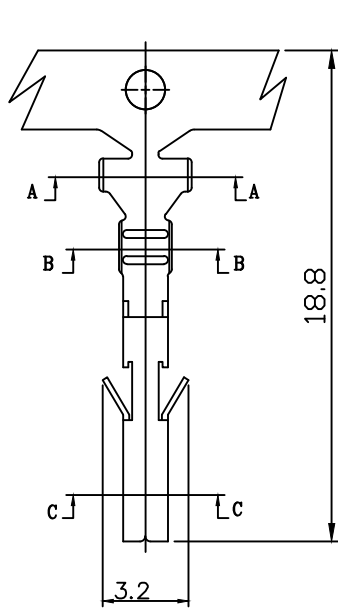


PART NO. 420200TBx51  
 DWG NO. C4202TB



NOTE:

1. Terminal Material: Brass bronze or Phosphor bronze
- ⚠ 2. Plated: Tin pre-plated 50u"min.
- ⚠ 3. Current rating: 5A AC/DC
- ⚠ 4. Voltage rating: 600V AC/DC
- ⚠ 5. Withstand voltage: 1500V AC/minute
- ⚠ 6. Insulation resistance: 1000MΩ min
7. Insulation O.D.: 1.1~2.1mm
8. Q'ty / reel: 4,000pcs

Dimensional & Ordering Information:

No.	Part No.	Wire Range	Material	Finishing
1	420200TB051	AWG#24~#18	Brass	Tin pre-plated
2	420200TB351	AWG#24~#18	Phosphor	Tin pre-plated

D	DWG RELEASE		⚠	Christy	12/24 2015	UNLESS OTHERWISE SPECIFIED TOLERANCES 3 PLACE ±0.5 ±0.10 2 PLACE ±1.5 ±0.25 1 PLACE ±2.0 ±0.50 ANGLE DIM	<b>EXCON</b> EXCON TECHNOLOGY COMPANY
C	NOTE: 修改 第2項 Tin-Plated → Tin Pre-Plated 新增 第3、4、5、6項及鍍厚TO.2		⚠	Christy	5/28 2015		
REV.	REVISIONI			DIS	DATE		
SCALE	REV.	PAGE:	UNIT	mm		DWG NO:	PART.NO
4/1	D	1/1	THIRD ANGLE PROJECTION			C4202TB	420200TBx51