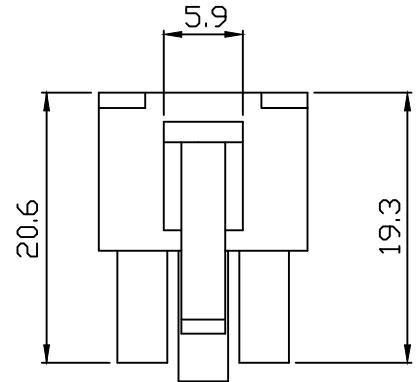
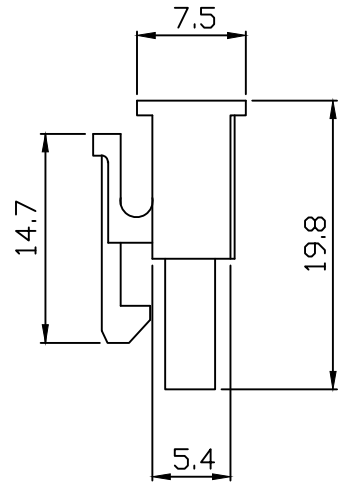
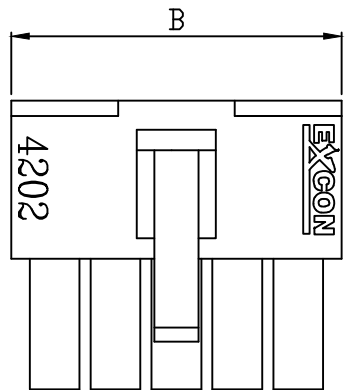
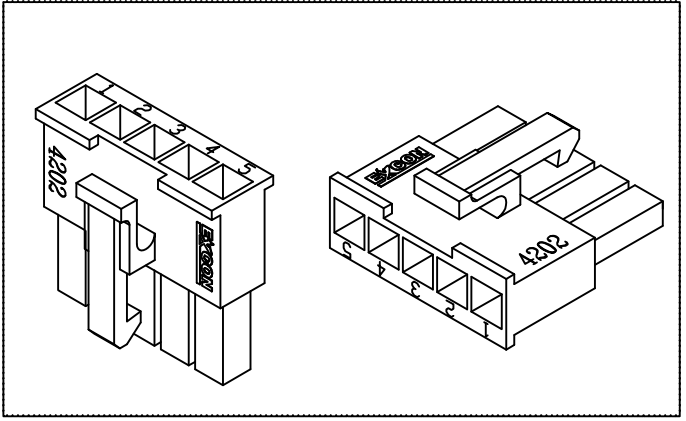
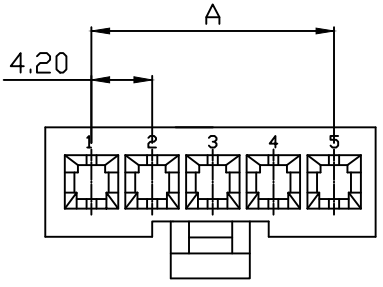


10 9 8 7 6 5 4 3 2 1

PART NO.
4202xxHMOxx
DWG NO.
C4202HM



Only 3 circuits

Dimensional & Ordering Information:

Part No.		Circuits	Dim A	Dim B
NY66 UL94V0	NY66 UL94V2			
420202HM001	420202HM051	2	4.2	9.6
420203HM001	420203HM051	3	8.4	13.8
420204HM001	420204HM051	4	12.6	18.0
420205HM001	420205HM051	5	16.8	22.2

NOTE:

1. Housing Material:Nylon 66 UL94V0 or V2
2. Color: Natural
3. Withstand voltage: 1500V AC/minute.
4. Current rating: 5A AC/DC.
5. Voltage rating: 600V AC/DC

REV.	REVISIONI	DIS	DATE
SCALE	REV.	PAGE:	UNIT
4/1	A	1	mm

UNLESS OTHERWISE SPECIFIED TOLERANCES
 3 PLACE ±0.5 ±0.10
 2 PLACE ±1.5 ±0.25
 1 PLACE ±2.0 ±0.50
 ANGLE DIM



SCALE	REV.	PAGE:	UNIT	mm	DWG NO:	PART.NO
4/1	A	1	THIRD ANGLE PROJECTION		C4202HM	4202xxHMOxx

10 9 8 7 6 5 4 3 2 1