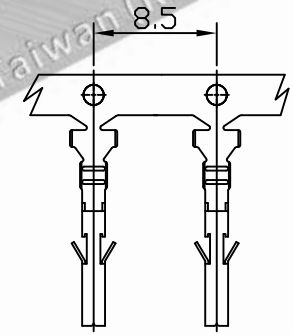
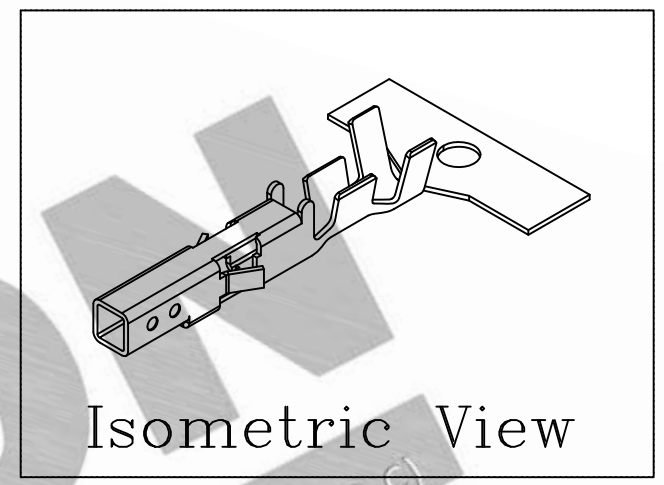
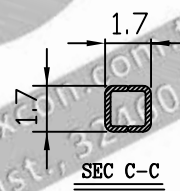
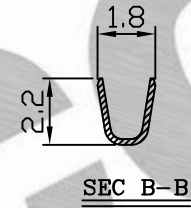
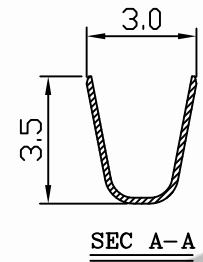
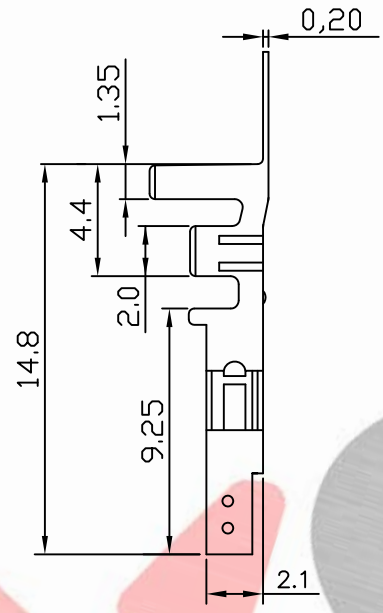
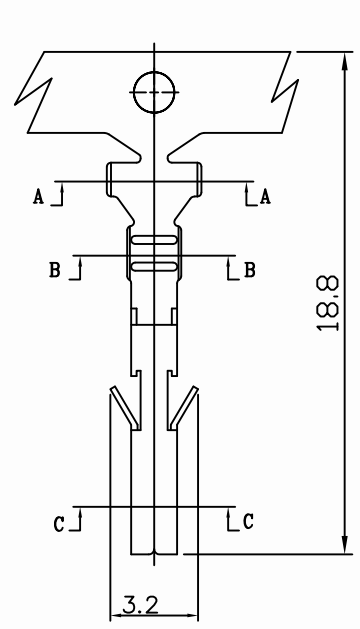


PART NO. 420100TMxxx  
 DWG NO. C4201TM



- NOTE:
1. Terminal Material: Brass bronze or Phosphor bronze
  2. Plated: Tin pre-plated 50u"min.
  3. Current rating: 5A AC/DC
  4. Voltage rating: 600V AC/DC
  5. Withstand voltage: 1500V AC/minute
  6. Insulation resistance: 1000MΩ min
  7. Insulation O.D.: 0.9~1.8mm
  8. Q'ty / reel: 7,000pcs

Dimensional & Ordering Information:

No.	Part No.	Wire Range	Material	Finishing
1	420100TM051	AWG#22~#28	Brass	Tin pre-plated
2	420100TM351	AWG#22~#28	Phosphor	Tin pre-plated

A		DWG RELEASE		christy	12/24	UNLESS OTHERWISE SPECIFIED TOLERANCES		 <b>EXCON TECHNOLOGY COMPANY</b>
REV.		REVISIONI		DIS	DATE	3 PLACE ±0.5 ±0.10		
SCALE		REV.	PAGE:	UNIT		2 PLACE ±1.5 ±0.25		
4/1		A	1/1	THIRD ANGLE PROJECTION		1 PLACE ±2.0 ±0.50		PART.NO
						ANGLE DIM		420100TMxxx
						DWG NO:		
						C4201TM		