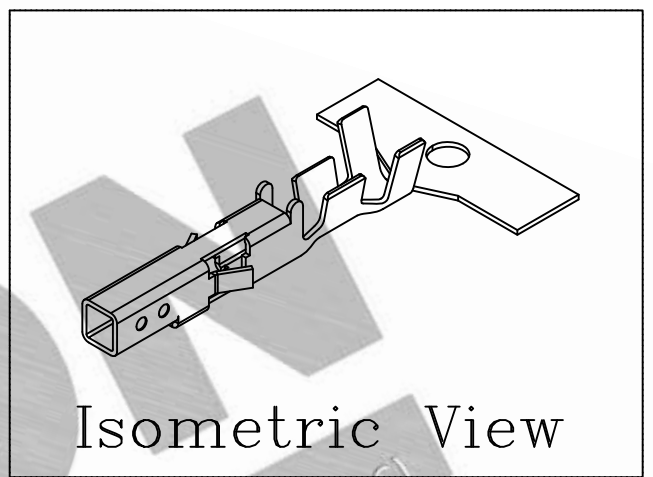
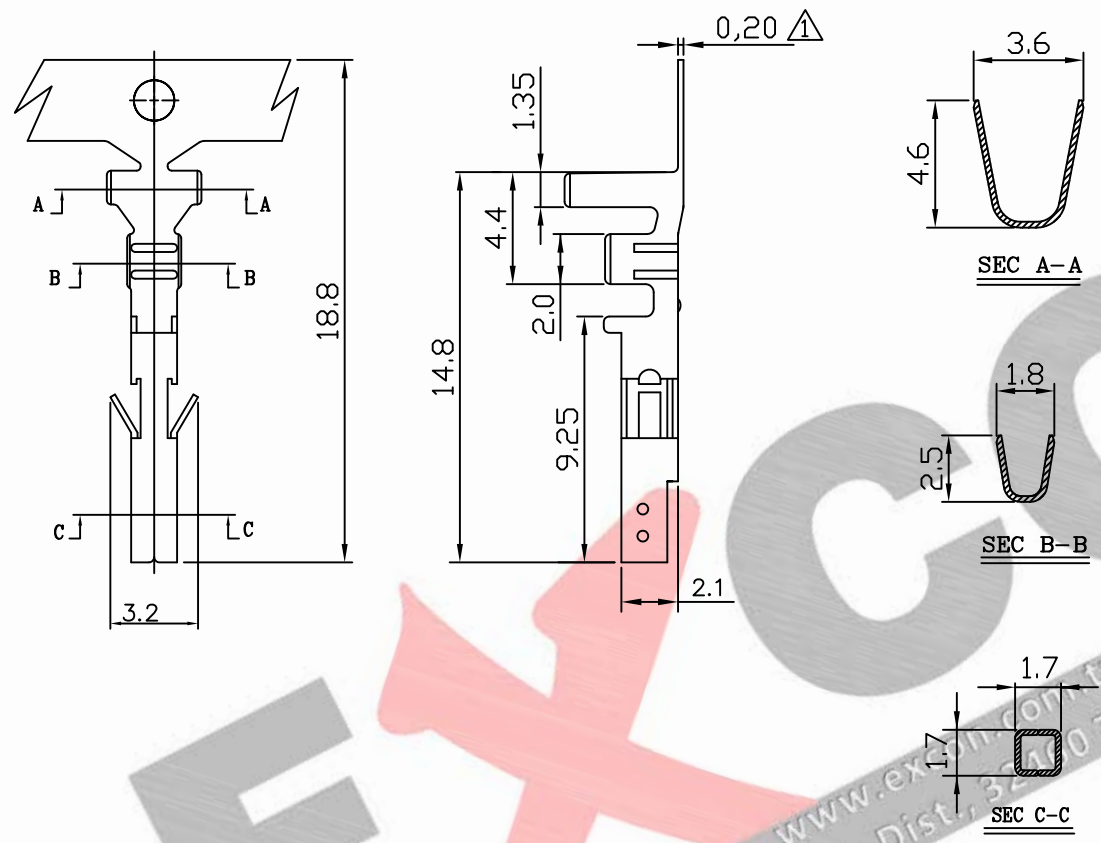


PART NO. 420100TBxxx
 DWG NO. C4201TB



- NOTE:
- Terminal Material: Brass bronze or Phosphor bronze
 - Plated: Tin pre-plated 50u"min.
 - Current rating: 5A AC/DC
 - Voltage rating: 600V AC/DC
 - Withstand voltage: 1500V AC/minute
 - Insulation resistance: 1000MΩ min
 - Insulation O.D.: 1.1~2.1mm
 - Q'ty / reel: 4,000pcs

Dimensional & Ordering Information:

No.	Part No.	Wire Range	Material	Finishing
1	420100TB051	AWG#24~#18	Brass	Tin pre-plated
2	420100TB351	AWG#24~#18	Phosphor	Tin pre-plated

D		DWG RELEASE		Christy	12/24 2015	UNLESS OTHERWISE SPECIFIED TOLERANCES 3 PLACE ±0.5 ±0.10 2 PLACE ±1.5 ±0.25 1 PLACE ±2.0 ±0.50 ANGLE DIM	 EXCON TECHNOLOGY COMPANY
C		NOTE:修改 第2項 Tin-Plated → Tin Pre-Plated 新增 第3、4、5、6項及鍍厚T0.2		Christy	5/28 2015		
REV.	REVISIONI			DIS	DATE		
SCALE	REV.	PAGE:	UNIT	mm		DWG NO:	PART.NO
4/1	D	1/1	THIRD ANGLE PROJECTION			C4201TB	420100TBxxx