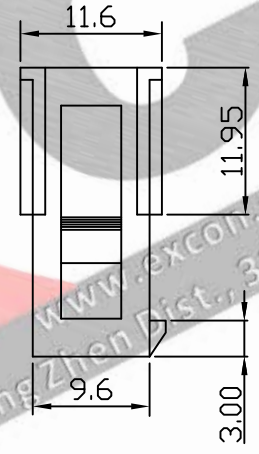
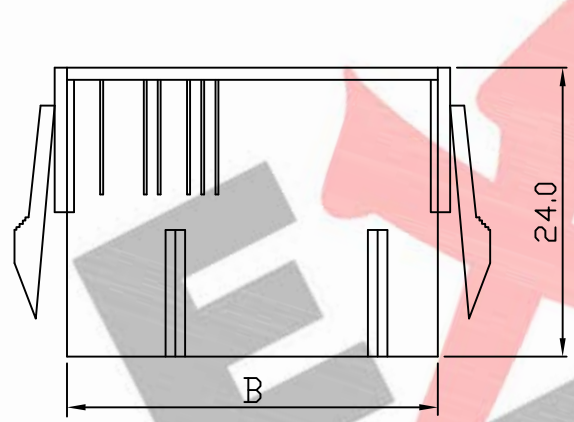
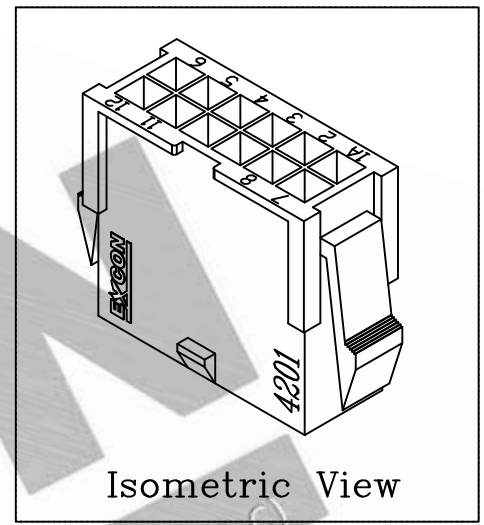
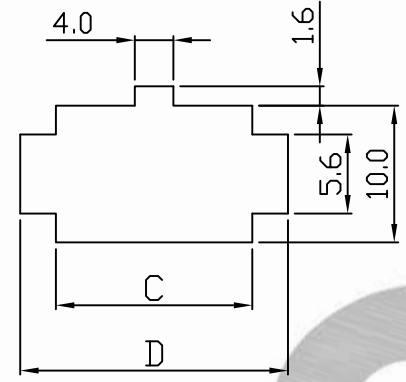
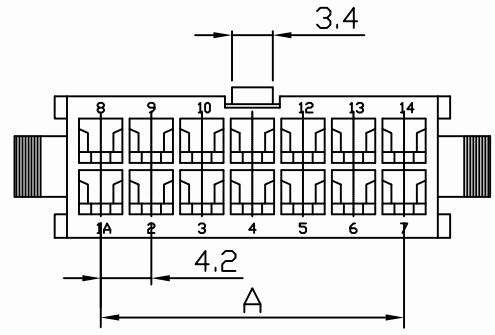


PART NO. 4201xxHPxxx
 DWG NO. C4201HP



Panel Layout

Isometric View

Dimensional & Ordering Information:

Part No.		Circuits	A	B	C	D
NY66 UL94V0	NY66 UL94V2					
420102HP001	420102HP051	2	4.2	5.4	5.8	10.8
420104HP001	420104HP051	4	8.4	9.6	10.0	15.0
420106HP001	420106HP051	6	12.6	13.8	14.2	19.2
420108HP001	420108HP051	8	16.8	18.0	18.4	23.4
420110HP001	420110HP051	10	21.0	22.2	22.6	27.6
420112HP001	420112HP051	12	25.2	26.4	26.8	31.8
420114HP001	420114HP051	14	29.4	30.6	31.1	36.0
420106HP001	420106HP051	16	33.6	34.8	35.3	40.2
420118HP001	420118HP051	18	37.8	39.0	39.5	44.4
420120HP001	420120HP051	20	42.0	43.2	43.7	48.6
420122HP001	420122HP051	22	46.2	47.4	47.9	52.8
420124HP001	420124HP051	24	46.2	51.6	52.1	57.0

NOTE:

1. Wafer Material: Nylon 66 UL94V2 or V0
2. Insulation resistance: 1000M ohm/min.
3. Withstand voltage: 1500V AC/minute.
4. Current rating: 5A AC/DC.
5. Voltage rating: 600V AC/DC
6. Color : Natural



B		DWG RELEASE		Christy 5/4 2016
REV.	REVISIONI			
SCALE	REV.	PAGE:	UNIT	mm
2/1	B	1/1	THIRD ANGLE	PROJECTION

UNLESS OTHERWISE SPECIFIED TOLERANCES
 3 PLACE ±0.5 ±0.10
 2 PLACE ±1.5 ±0.25
 1 PLACE ±2.0 ±0.50
 ANGLE DIM

EXCON

EXCON TECHNOLOGY COMPANY

PART.NO

4201xxHPxxx