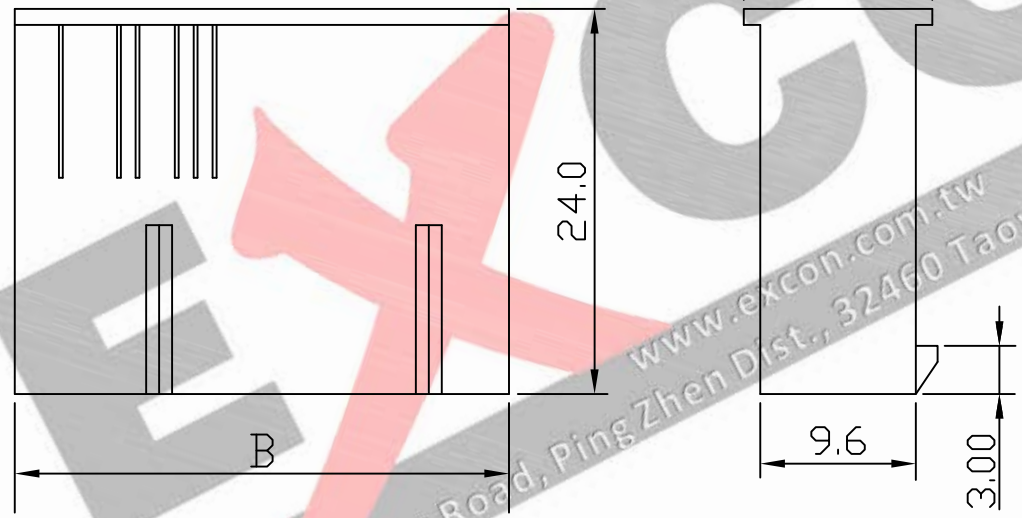
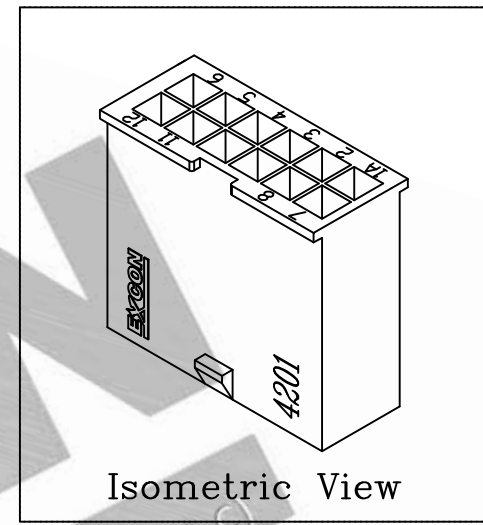
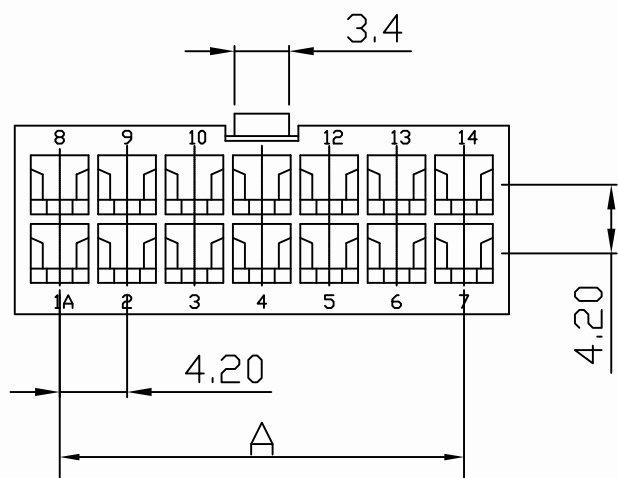


PART NO.  
4201XXHFXXX  
DWG NO.  
C4201HF



Dimensional & Ordering Information:

Part No.		Circuits	A	B
NY66 UL94V0	NY66 UL94V2			
420102HF001	420102HF051	2	4.2	5.4
420104HF001	420104HF051	4	8.4	9.6
420106HF001	420106HF051	6	12.6	13.8
420108HF001	420108HF051	8	16.8	18.0
420110HF001	420110HF051	10	21.0	22.2
420112HF001	420112HF051	12	25.2	26.4
420114HF001	420114HF051	14	29.4	30.6
420116HF001	420116HF051	16	33.6	34.8
420118HF001	420118HF051	18	37.8	39.0
420120HF001	420120HF051	20	42.0	43.2
420122HF001	420122HF051	22	46.2	47.4
420124HF001	420124HF051	24	50.4	51.6

**NOTE:**

- Housing Material: Nylon 66 UL94V2 or V0
- Insulation resistance: 1000M ohm/min.
- Withstand voltage: 1500V AC/minute.
- Current rating: 5A AC/DC.
- Voltage rating: 600V AC/DC
- Color : Natural

REV.	REVISIONI		DIS	DATE
B	DWG RELEASE		christy	7/08 2015
SCALE	REV.	PAGE:	UNIT	MM
2/1	B	1/1	THIRD ANGLE	PROJECTION

UNLESS OTHERWISE SPECIFIED TOLERANCES  
 3 PLACE ±0.5 ±0.10  
 2 PLACE ±1.5 ±0.25  
 1 PLACE ±2.0 ±0.50  
 ANGLE DIM



DWG NO:	PART.NO
C4201HF	4201XXHFXXX