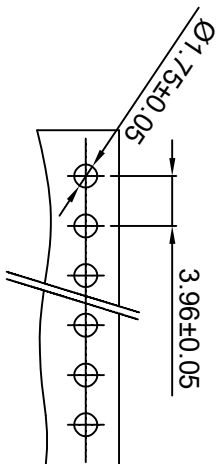
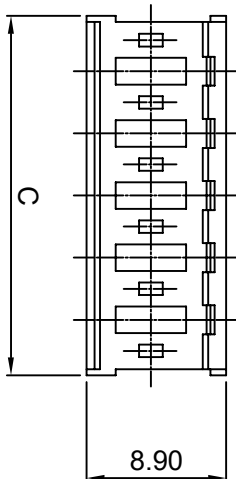
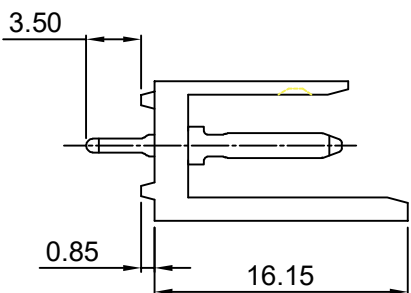
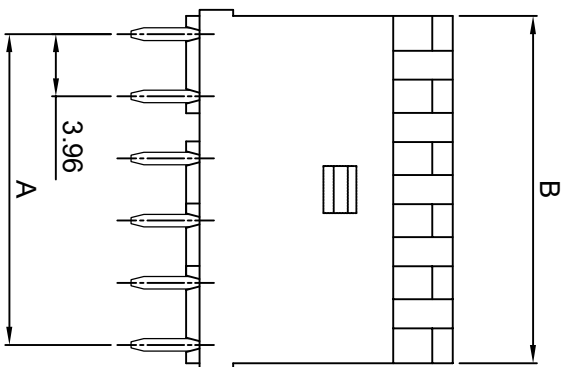
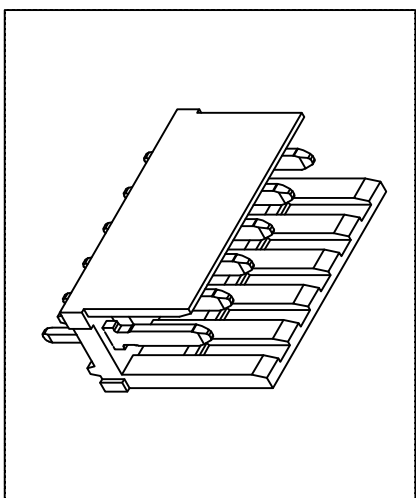


PART NO.
3971xxWV558
DWG NO.
C3971WV



TOLERANCES ARE NON-CUMULATIVE:±0.05

RECOMMENDED PCB LAYOUT
(PCB THK=1.0~1.6)



Part No.	Circuit	Dim A	Dim B	Dim C
397102WV558	2	3.96	6.28	7.08
397104WV558	4	11.88	14.20	15.00
397106WV558	6	19.80	22.12	22.92
397108WV558	8	27.72	30.04	30.84
397110WV558	10	35.64	37.96	38.76
397112WV558	12	43.56	45.88	46.68

Dimensional &
Ordering Information:

NOTE:

1. Wafer Material: PC UI94V-0.
Pin/Pos Material: Brass.
2. Plated: Tin-plated 50u"min.
3. Insulation resistance: 1000M ohm/min.
4. Withstand voltage: 1500V AC/minute.
5. Current rating: 5A AC/DC.
6. Voltage rating: 250V AC/DC.

REV.	REVISION	DIS	DATE	UNLESS OTHERWISE SPECIFIED TOLERANCES	EXCON TECHNOLOGY COMPANY
SCALE	REV.	PAGE	UNIT	mm	PART NO C3971WV
NONE	B	1	THIRD ANGLE PROJECTION		
				DWG NO:	3971xxWV558

EXCON

EXCON TECHNOLOGY COMPANY

PART NO

3971xxWV558