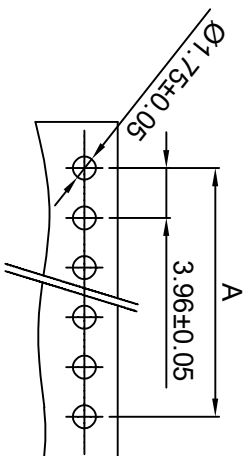
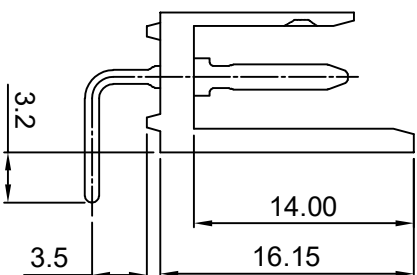
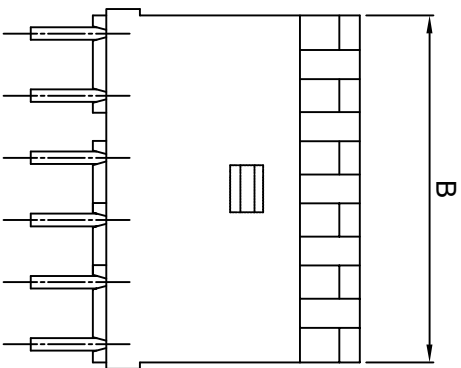
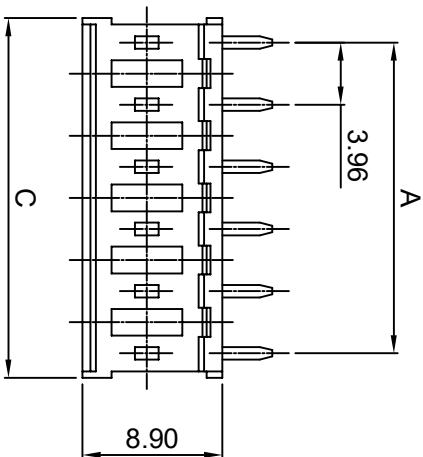
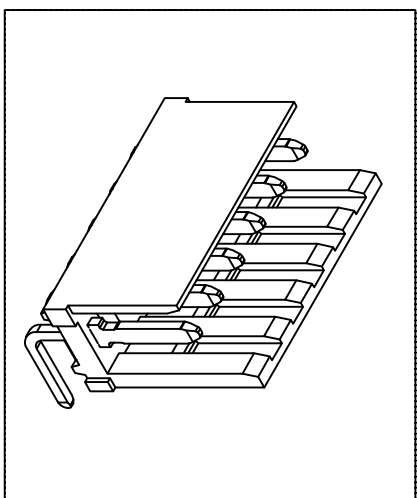


PART NO.
3971xxWR558
DWG NO.
C3971WR



RECOMMENDED PCB LAYOUT
(PCB THK=1.0~1.6)

TOLERANCES ARE NON-CUMULATIVE:±0.05



Dimensional & Ordering Information:

Part No.	Circuit	Dim A	Dim B	Dim C
397102TR558	2	3.96	6.20	7.08
397104TR558	4	11.88	14.20	15.00
397106TR558	6	19.80	22.12	22.92
397108TR558	8	27.72	30.04	30.84
397110TR558	10	35.64	37.96	38.76
397112TR558	12	43.56	45.88	46.68

- NOTE:
1. Wafer Material: PC UI94V-0.
Pin/Pos Material: Brass.
 2. Plated: Tin-plated 50u"min.
 3. Insulation resistance: 1000M ohm/min.
 4. Withstand voltage: 1500V AC/minute.
 5. Current rating: 5A AC/DC.
 6. Voltage rating: 250V AC/DC.

REV.	REVISION	DIS	DATE	UNLESS OTHERWISE SPECIFIED TOLERANCES	DWG NO: C3971WR	PART NO: 3971xxWR558
SCALE	REV.	PAGE	UNIT	mm		
NONE	B	1	THIRD ANGLE PROJECTION			



EXCON TECHNOLOGY COMPANY