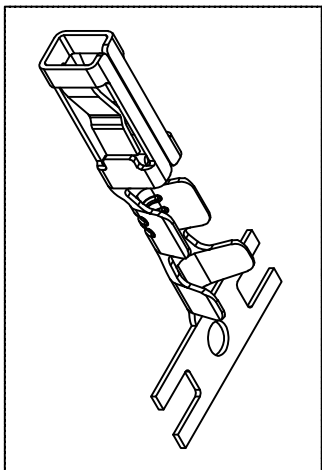
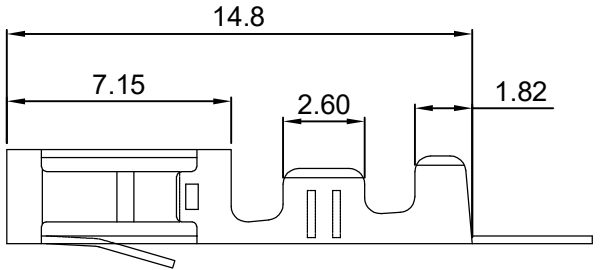
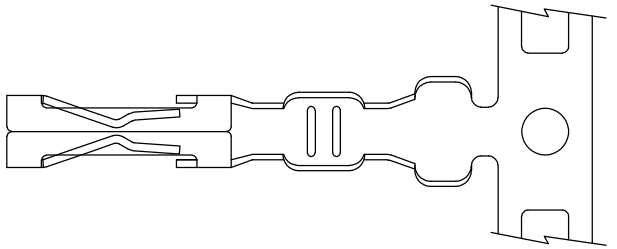
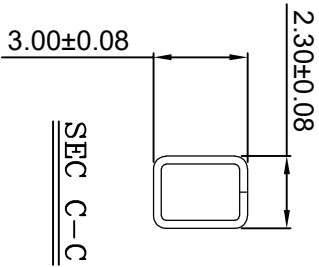
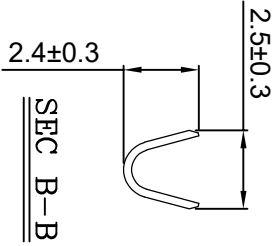
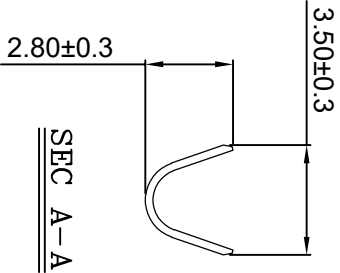


PART NO.
397100TC351
DWG NO.
C3971TC



- NOTE:
1. Terminal Material: Phosphor bronze
 2. Plated: Tin-plated 50u"min.
 3. Applicable wires: AWG#18-#22
 4. Insulation O.D.: 1.8-2.3mm
 5. Q'ty / reel: 7,000 pcs



No.	Part No.	Material	Finish
1	397100TC351	phosphor	Tin pre-plated

UNLESS OTHERWISE SPECIFIED TOLERANCES
 3 PLACE ±0.5 ±0.10
 2 PLACE ±1.5 ±0.25
 1 PLACE ±2.0 ±0.50
 ANGLE DIM

EXCON
 EXCON TECHNOLOGY COMPANY

REV.	REVISION	DIS	DATE	DWG NO.	PART NO.
SCALE	REV.	PAGE:	UNIT	mm	
NONE	B	1	THIRD ANGLE PROJECTION		C3971TC
					397100TC351

