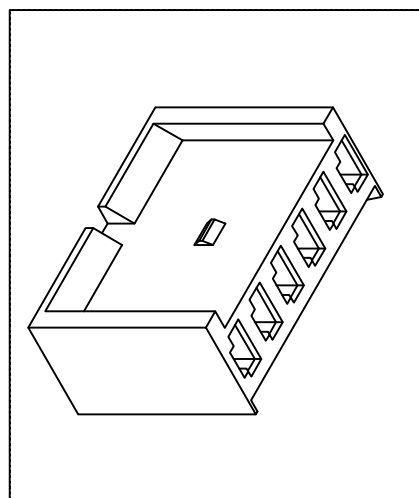
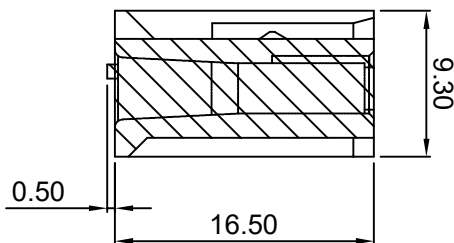
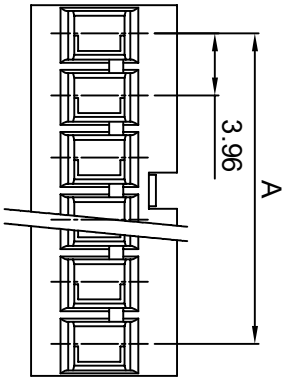
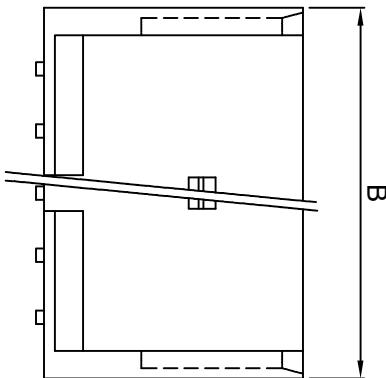
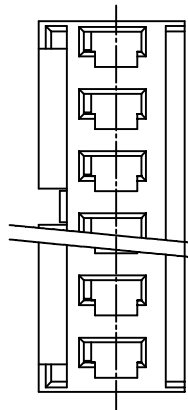


PART NO.
3971xxHA208
DWG NO.
C3971HA



NOTE:

1. Housing Material: PBT UL94V-0
2. Insulation resistance: 1000M ohm/min.
3. Use Material: NY-V2 , 21SP,1300XG1,101F-V0,CM3004
4. Withstand voltage: 1500V AC/minute.
5. Current rating: 5A AC/DC.
6. Voltage rating: 600V AC/DC

Dimensional & Ordering Information:

Part No.	Circuits	Dim A	Dim B
397102HA208	2	3.98	7.78
397104HA208	4	11.88	15.70
397106HA208	6	19.80	23.62
397108HA208	8	27.72	31.54
397110HA208	10	35.64	39.46
397112HA208	12	43.56	47.38

UNLESS OTHERWISE SPECIFIED TOLERANCES
3 PLACE ±0.5 ±0.10
2 PLACE ±1.5 ±0.25
1 PLACE ±2.0 ±0.50
ANGLE DIM



EXCON TECHNOLOGY COMPANY

REV.	REV.	PAGE	UNIT	DIS	DATE	DWG NO.	PART NO
NONE	B	1	THIRD ANGLE PROJECTION	mm		C3971HA	3971xxHA208