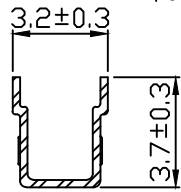
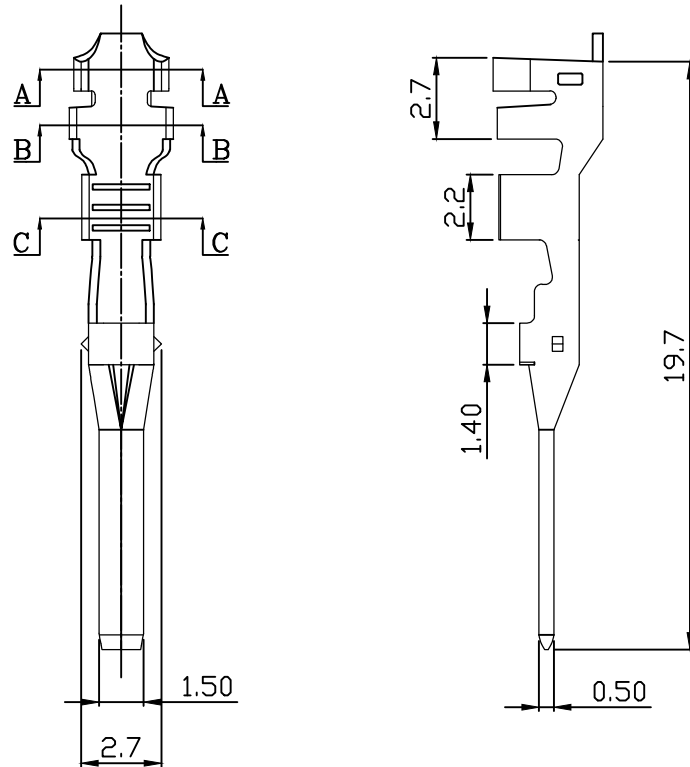
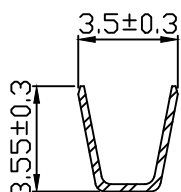


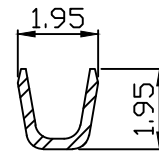
PART NO. 396900TP051  
 DWG NO. C3969TP



SEC A-A



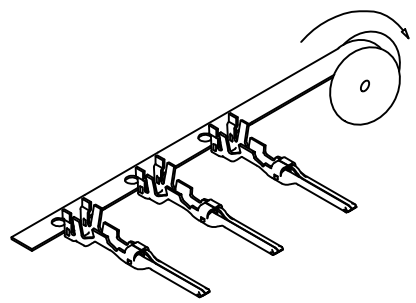
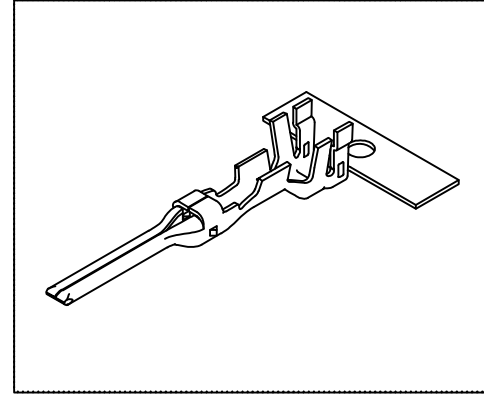
SEC B-B



SEC C-C

NOTE 1 :

1. Terminal Material: Brass.
2. Plated: Tin-plated 50u"min.
3. Applicable wires: AWG#22~#26



No.	Part No.	Material	Material NO.	Finish
1	420100TA951	phosphor	020220T3951	No plated
2	420100TA351		020220T3351	Tin pre-plated
3	420100TA901	Brass	020220T2901	No plated
4	420100TA051		020220T2051	Tin pre-plated

REV.	REVISION		DIS	DATE
SCALE	REV.	PAGE:	UNIT	mm
4/1	A	1	THIRD ANGLE PROJECTION	

UNLESS OTHERWISE SPECIFIED TOLERANCES  
 3 PLACE ±0.5 ±0.10  
 2 PLACE ±1.5 ±0.35  
 1 PLACE ±2.0 ±0.50  
 ANGLE DIM

**EXCON**  
 EXCON TECHNOLOGY COMPANY

DWG NO:	C3969TP	PART.NO	396900TP051
---------	---------	---------	-------------