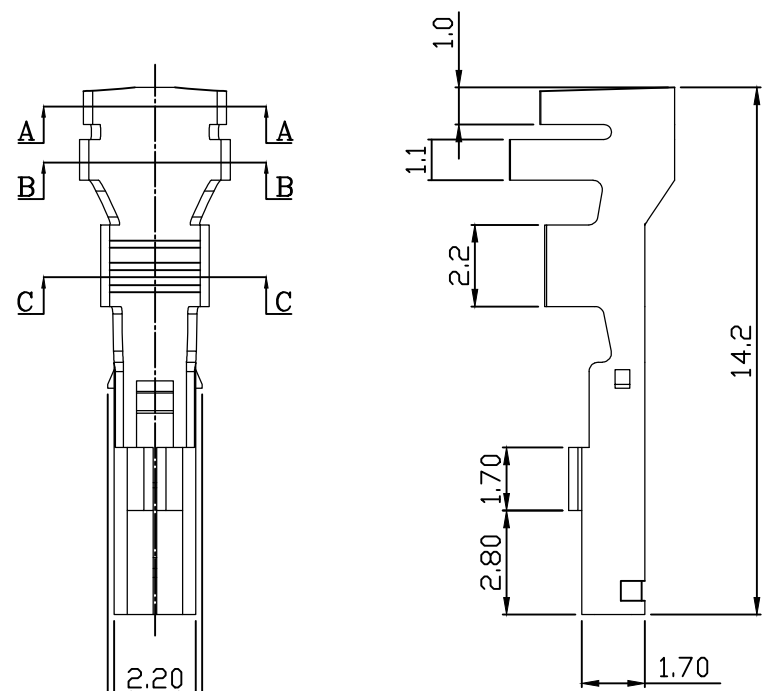
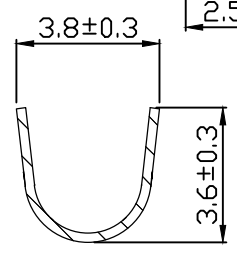
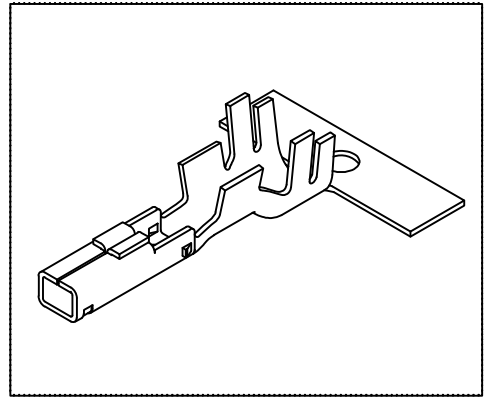


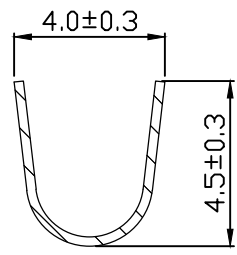
PART NO. 396900TB351  
 DWG NO. C3969TB



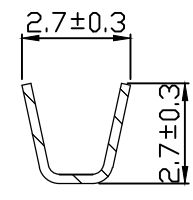
NOTE 1 :  
 1. Terminal Material: Phosphor bronze.  
 2. Plated: Tin-plated 50u"min.  
 3. Applicable wires: AWG#16~#20



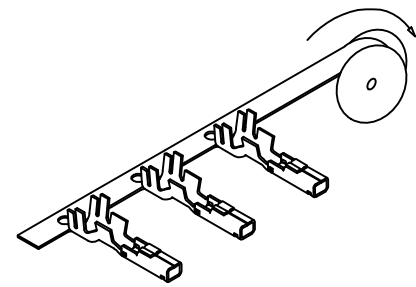
SEC A-A



SEC B-B



SEC C-C



No.	Part No.	Material	Material NO.	Finish
1	420100TA951	phosphor	020220T3951	No plated
2	420100TA351		020220T3351	Tin pre-plated
3	420100TA901	Brass	020220T2901	No plated
4	420100TA051		020220T2051	Tin pre-plated

REV.	REVISION	DIS	DATE

SCALE	REV.	PAGE:	UNIT	mm	DWG NO:	PART.NO
4/1	A	1	TMRD ANGLE PROJECTION		C3969TB	396900TB351

UNLESS OTHERWISE SPECIFIED TOLERANCES  
 3 PLACE ±0.5 ±0.10  
 2 PLACE ±1.5 ±0.35  
 1 PLACE ±2.0 ±0.50  
 ANGLE DIM

**EXCON**  
 EXCON TECHNOLOGY COMPANY