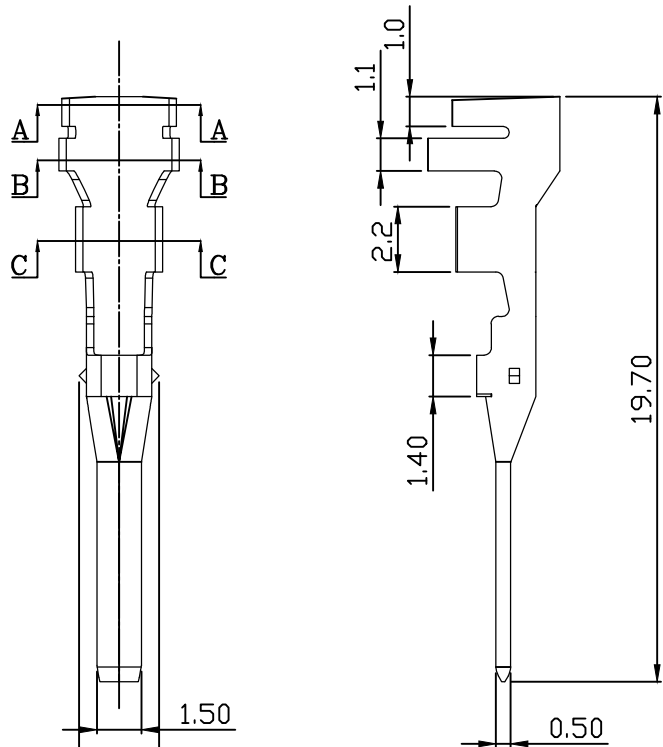
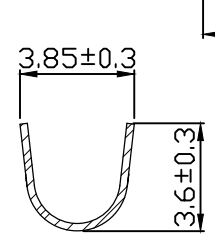
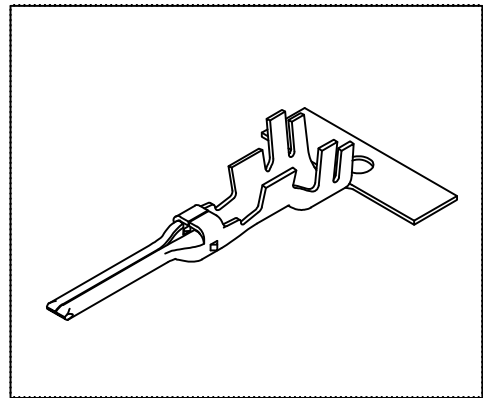


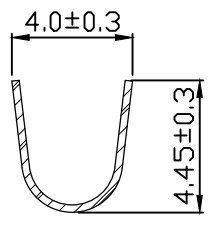
PART NO. 396900TA051  
 DWG NO. C3969TA



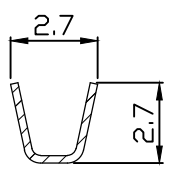
- NOTE 1 :
1. Terminal Material: Brass.
  2. Plated: Tin-plated 50u"min.
  3. Applicable wires: AWG#16~#20



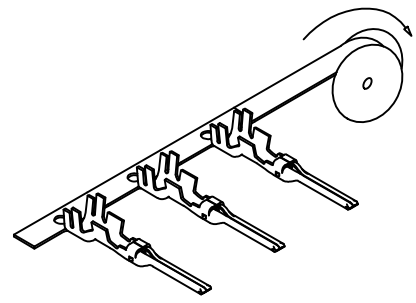
SEC A-A



SEC B-B



SEC C-C



No.	Part No.	Material	Material NO.	Finish
1	420100TA951	phosphor	020220T3951	No plated
2	420100TA351		020220T3351	Tin pre-plated
3	420100TA901	Brass	020220T2901	No plated
4	420100TA051		020220T2051	Tin pre-plated

				UNLESS OTHERWISE SPECIFIED TOLERANCES		 <b>EXCON TECHNOLOGY COMPANY</b>
				3 PLACE ±0.5 ±0.10		
				2 PLACE ±1.5 ±0.35		
				1 PLACE ±2.0 ±0.50		
				ANGLE DIM		
REV.	REVISIONI			DIS	DATE	
SCALE	REV.	PAGE:	UNIT	mm		DWG NO:
4/1	A	1	TMRD ANGLE PROJECTION			C3969TA
						PART.NO
						396900TA051