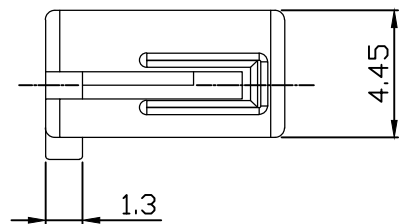
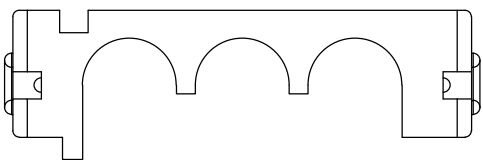
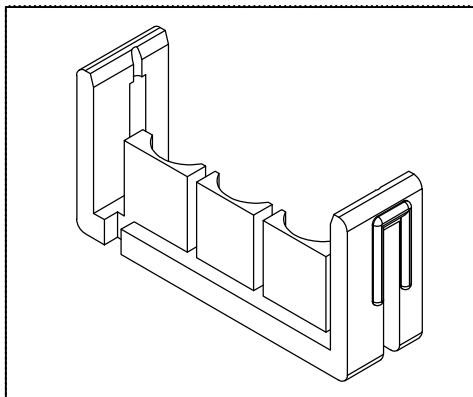
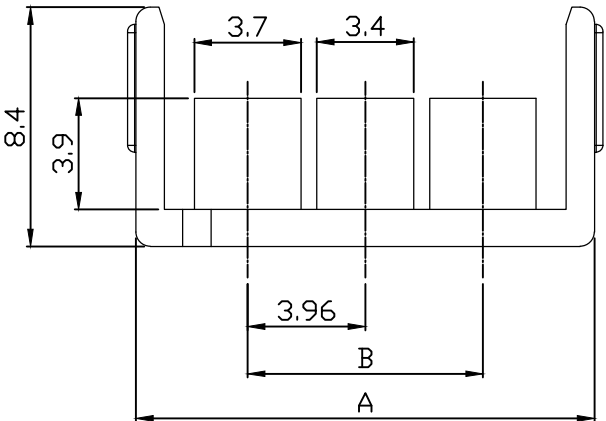


PART NO. 3969xxLA001
 DWG NO. C3969LA



NOTE:
 1. Housing Material: Nylon 66 UL94V-0.
 2. Color : Natural.

Dimensional & Ordering Information:

| Part No. | Circuits | Dim A | Dim B |
|-------------|----------|-------|-------|
| 396902LA001 | 2 | 12.14 | 3.96 |
| 396903LA001 | 3 | 16.10 | 9.72 |
| 396904LA001 | 4 | 20.06 | 11.88 |

| REV. | REVISION | DIS | DATE |
|------|----------|-----|------|
| | | | |
| | | | |
| | | | |

UNLESS OTHERWISE SPECIFIED TOLERANCES
 3 PLACE ±0.5 ±0.10
 2 PLACE ±1.5 ±0.35
 1 PLACE ±2.0 ±0.50
 ANGLE DIM

| SCALE | REV. | PAGE: | UNIT | mm | DWG NO: | PART.NO |
|-------|------|-------|------------------------|----|---------|-------------|
| 4/1 | A | 1 | THIRD ANGLE PROJECTION | | C3969LA | 3969xxLA001 |

EXCON
 EXCON TECHNOLOGY COMPANY