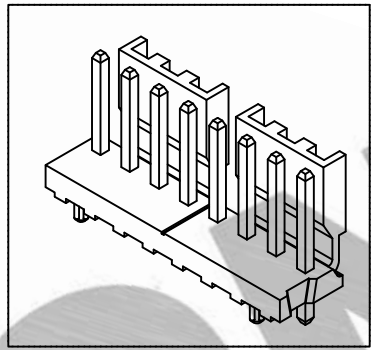
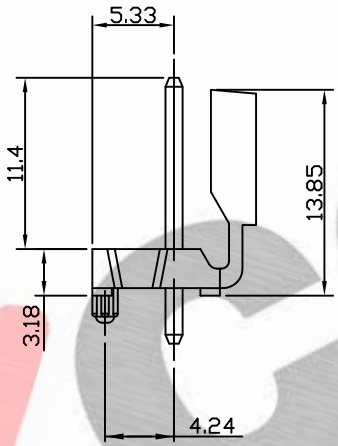
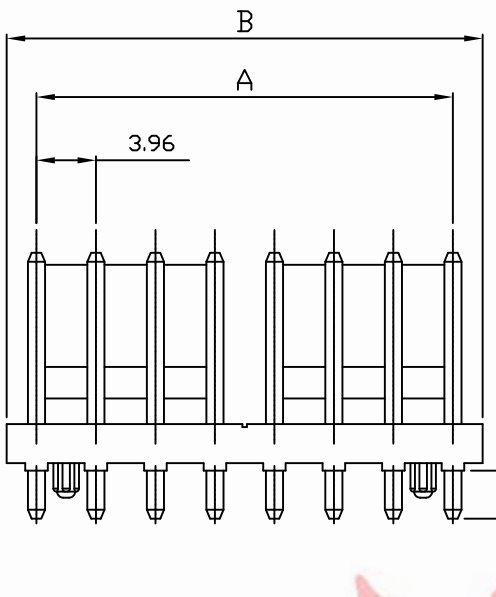
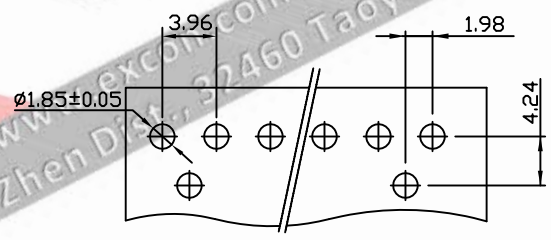
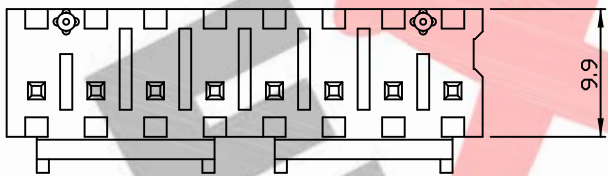


PART NO. 3968xxWV201
 DWG NO. C3968WV



Dimensional & Ordering Information:

Part No.	Circuits	Dim A	Dim B
396802WV201	2	3.96	7.92
396803WV201	3	7.92	11.88
396804WV201	4	11.88	15.84
396805WV201	5	15.84	19.80
396806WV201	6	19.80	23.76
396807WV201	7	23.76	27.72
396808WV201	8	27.72	31.68
396809WV201	9	31.68	35.64
396810WV201	10	35.64	39.60
396811WV201	11	39.60	43.56
396812WV201	12	43.56	47.52
396813WV201	13	47.52	51.48
396814WV201	14	51.48	55.44
396815WV201	15	55.44	59.40
396816WV201	16	59.40	63.36
396817WV201	17	63.36	67.32
396818WV201	18	67.32	71.28
396819WV201	19	71.28	75.24
396820WV201	20	75.24	79.20
396821WV201	21	79.20	83.16
396822WV201	22	83.16	87.12
396823WV201	23	87.12	91.08
396824WV201	24	91.08	95.04



RECOMMENDED PCB LAYOUT

(PCB T=1.0~1.6mm)
 (PCB T=.039~.063in)

NOTE:

1. Wafer Material: PBT UL94 V0
Pin/Pos Material: brass bronze.
2. Plated: Tin-plated 50u"min.
3. Insulation resistance: 1000MΩ min.
4. Withstand voltage: 1000V AC/minute.
5. Current rating: 5A AC/DC.
6. Voltage rating: 250V AC/DC

REV.	REVISION		DIS	DATE	UNLESS OTHERWISE SPECIFIED TOLERANCES 3 PLACE ±0.5 ±0.10 2 PLACE ±1.5 ±0.35 1 PLACE ±2.0 ±0.50 ANGLE DIM
SCALE	REV.	PAGE:	UNIT	mm	
2/1	A	1	THIRD ANGLE PROJECTION		DWG NO: C3968WV

EXCON
 EXCON TECHNOLOGY COMPANY

PART.NO
 3968xxWV201