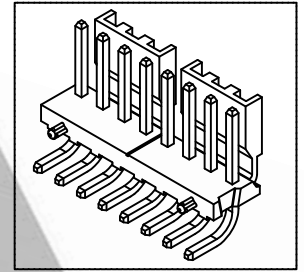
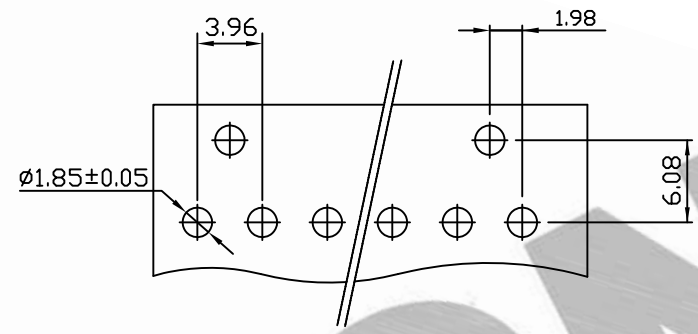
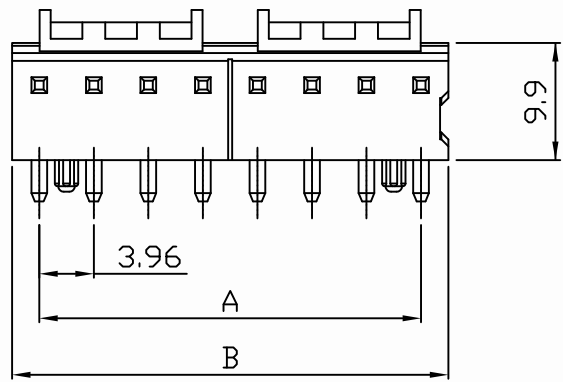


PART NO. 3968xxWR201
 DWG NO. C3968WR

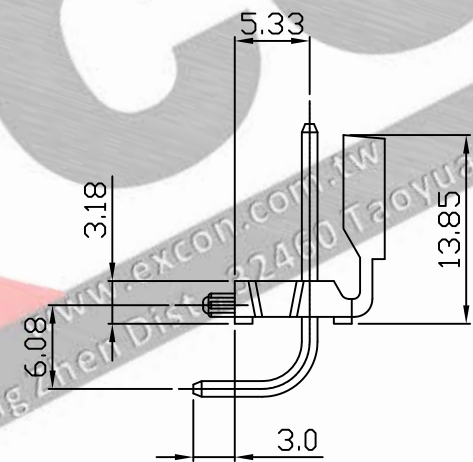
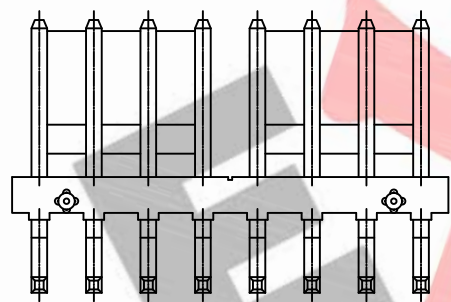


Dimensional & Ordering Information:

RECOMMENDED PCB LAYOUT

(PCB T=1.0~1.6mm)
 (PCB T=.039~.063in)

Part No.	Circuits	Dim A	Dim B
396802WR201	2	3.96	7.92
396803WR201	3	7.92	11.88
396804WR201	4	11.88	15.84
396805WR201	5	15.84	19.80
396806WR201	6	19.80	23.76
396807WR201	7	23.76	27.72
396808WR201	8	27.72	31.68
396809WR201	9	31.68	35.64
396810WR201	10	35.64	39.60
396811WR201	11	39.60	43.56
396812WR201	12	43.56	47.52
396813WR201	13	47.52	51.48
396814WR201	14	51.48	55.44
396815WR201	15	55.44	59.40
396816WR201	16	59.40	63.36
396817WR201	17	63.36	67.32
396818WR201	18	67.32	71.28
396819WR201	19	71.28	75.24
396820WR201	20	75.24	79.20
396821WR201	21	79.20	83.16
396822WR201	22	83.16	87.12
396823WR201	23	87.12	91.08
396824WR201	24	91.08	95.04



NOTE:

1. Wafer Material: PBT UL94 V0
Pin/Pos Material: brass bronze.
2. Plated: Tin-plated 50u"min.
3. Insulation resistance: 1000MΩ min.
4. Withstand voltage: 1000V AC/minute.
5. Current rating: 5A AC/DC.
6. Voltage rating: 250V AC/DC

UNLESS OTHERWISE SPECIFIED TOLERANCES			
3 PLACE ±0.5 ±0.10			
2 PLACE ±1.5 ±0.35			
1 PLACE ±2.0 ±0.50			
ANGLE DIM			
REV.	REVISION		DIS DATE
SCALE	REV.	PAGE:	UNIT mm
2/1	A	1	THIRD ANGLE PROJECTION
DWG NO:		PART.NO	
C3968WR		3968xxWR201	

EXCON
 EXCON TECHNOLOGY COMPANY