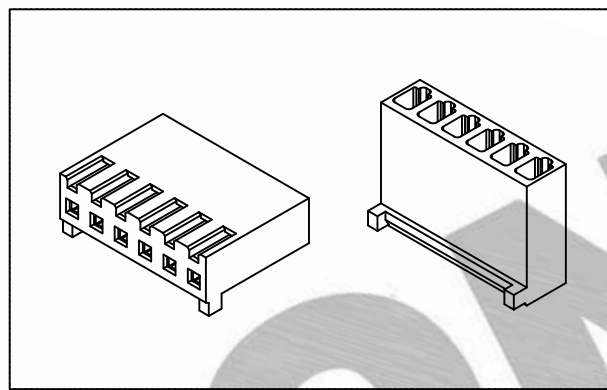
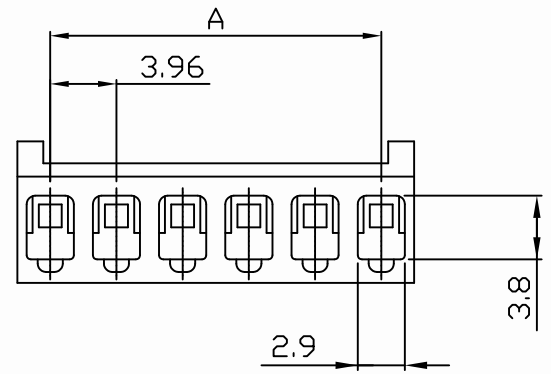
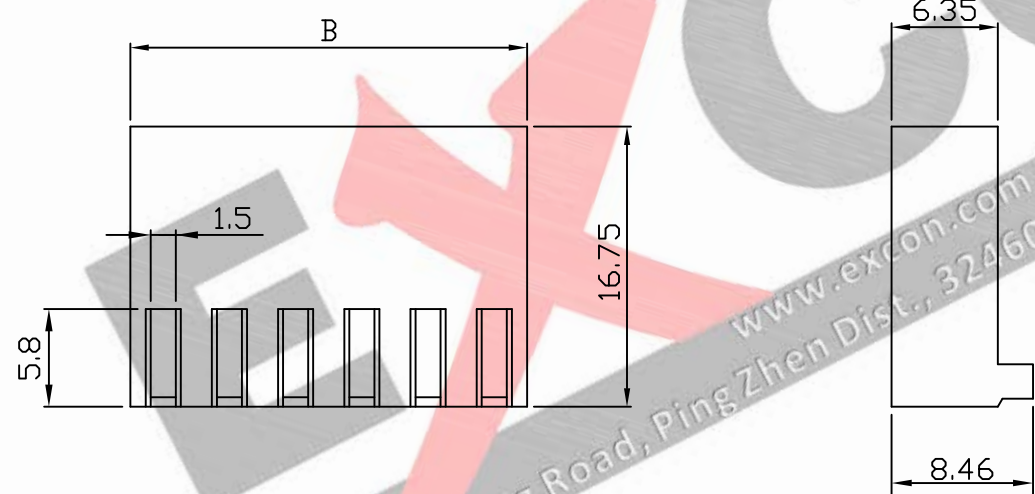


PART NO. 3968xxHA001
 DWG NO. C3968HA



Dimensional & Ordering Information:

Part No.	Circuits	Dim A	Dim B
396802HA001	2	3.96	7.92
396803HA001	3	7.92	11.88
396804HA001	4	11.88	15.84
396805HA001	5	15.84	19.80
396806HA001	6	19.80	23.76
396807HA001	7	23.76	27.72
396808HA001	8	27.72	31.68
396809HA001	9	31.68	35.64
396810HA001	10	35.64	39.60
396811HA001	11	39.60	43.56
396812HA001	12	43.56	47.52
396813HA001	13	47.52	51.48
396814HA001	14	51.48	55.44
396815HA001	15	55.44	59.40
396816HA001	16	59.40	63.36
396817HA001	17	63.36	67.32
396818HA001	18	67.32	71.28
396819HA001	19	71.28	75.24
396820HA001	20	75.24	79.20
396821HA001	21	79.20	83.16
396822HA001	22	83.16	87.12
396823HA001	23	87.12	91.08
396824HA001	24	91.08	95.04



- NOTE:
1. Housing Material: Nylon 66 UL94 V0
 2. Color: Natural
 3. Insulation resistance: 1000MΩ min.
 4. Withstand voltage: 1000V AC/minute.
 5. Current retang: 5A AC/DC.
 6. Voltage rating: 250V AC/DC

				UNLESS OTHERWISE SPECIFIED TOLERANCES	
				3 PLACE ±0.5 ±0.10	
				2 PLACE ±1.5 ±0.35	
				1 PLACE ±2.0 ±0.50	
				ANGLE DIM	
REV.	REVISIONI		DIS	DATE	
SCALE	REV.	PAGE:	UNIT	mm	
2/1	A	1	THIRD ANGLE PROJECTION		

EXCON

EXCON TECHNOLOGY COMPANY

PART.NO

3968xxHA001