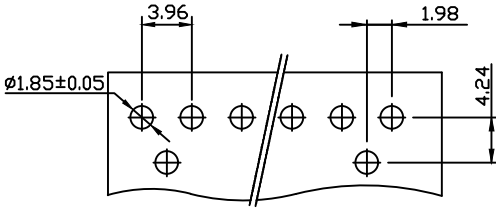
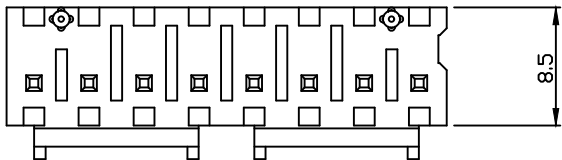
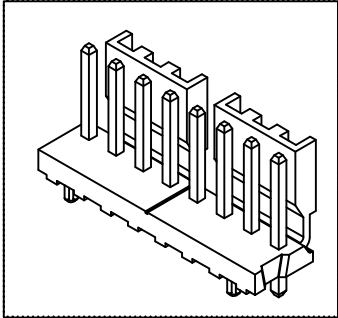
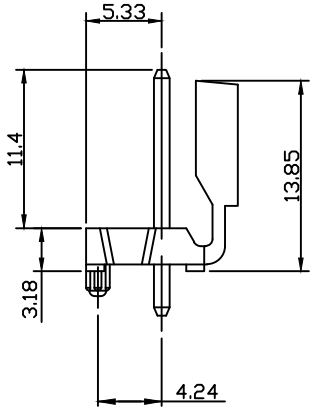
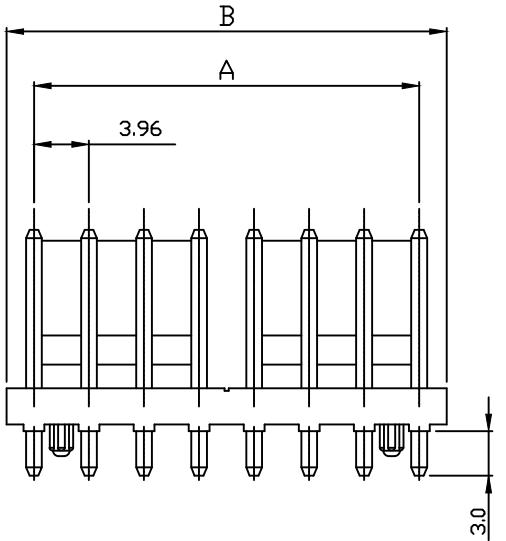


PART NO. C3968xxWV201  
 DWG NO. C3968WV



**RECOMMENDED PCB LAYOUT**

(PCB T=1.0~1.6mm)  
 (PCB T=.039~.063in)

**Dimensional & Ordering Information:**

Part No.	Circuits	Dim A	Dim B
396802WV201	2	3.96	7.92
396803WV201	3	7.92	11.88
396804WV201	4	11.88	15.84
396805WV201	5	15.84	19.80
396806WV201	6	19.80	23.76
396807WV201	7	23.76	27.72
396808WV201	8	27.72	31.68
396809WV201	9	31.68	35.64
396810WV201	10	35.64	39.60
396811WV201	11	39.60	43.56
396812WV201	12	43.56	47.52
396813WV201	13	47.52	51.48
396814WV201	14	51.48	55.44
396815WV201	15	55.44	59.40
396816WV201	16	59.40	63.36
396817WV201	17	63.36	67.32
396818WV201	18	67.32	71.28
396819WV201	19	71.28	75.24
396820WV201	20	75.24	79.20
396821WV201	21	79.20	83.16
396822WV201	22	83.16	87.12
396823WV201	23	87.12	91.08
396824WV201	24	91.08	95.04

**NOTE:**

1. Wafer Material: PBT UL94 V0  
Pin/Pos Material: brass bronze.
2. Plated: Tin-plated 50u"min.
3. Insulation resistance: 1000MΩ min.
4. Withstand voltage: 1000V AC/minute.
5. Current rating: 5A AC/DC.
6. Voltage rating: 250V AC/DC

UNLESS OTHERWISE SPECIFIED TOLERANCES  
 3 PLACE ±0.5 ±0.10  
 2 PLACE ±1.5 ±0.35  
 1 PLACE ±2.0 ±0.50  
 ANGLE DIM



REV.	REVISION	DIS	DATE
SCALE	REV.	PAGE:	UNIT
2/1	A	1	mm

DWG NO: C3968WV

PART.NO: 3968xxWV201

