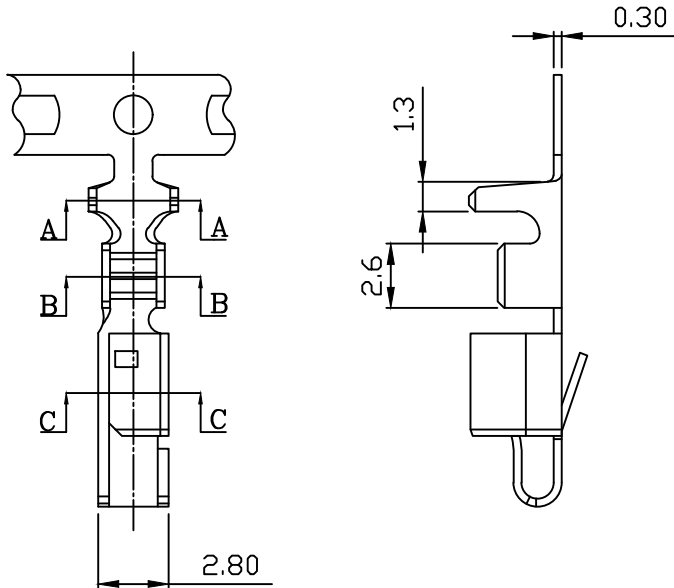
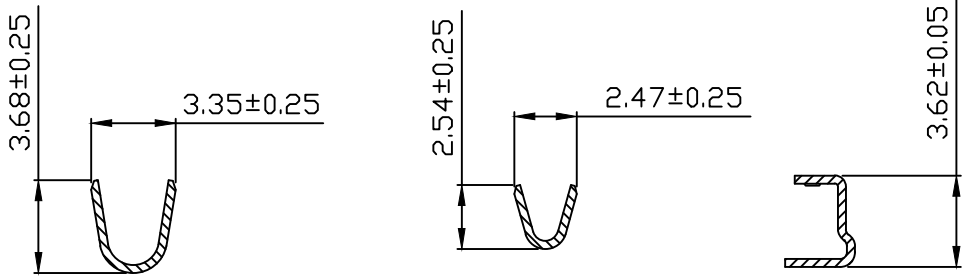
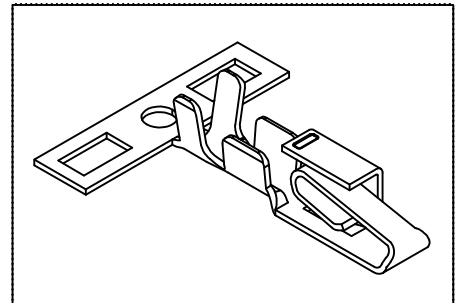


10 9 8 7 6 5 4 3 2 1

PART NO. 396800TC301  
 DWG NO. C3968TC

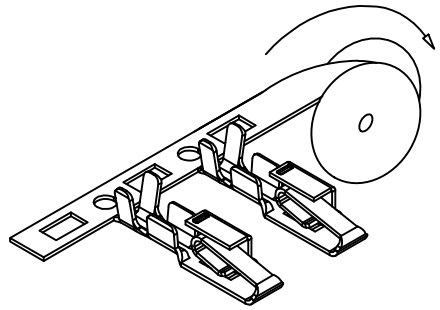


NOTE:  
 1. Terminal Material: phosphor  
 2. Plated: Ni 50u"min Tin-plated 80u"min.  
 3. Applicable wires: AWG#26-#18  
 Insulation O.D.: 1.3-2.8mm



SEC A-A                      SEC B-B                      SEC C-C

No.	Part No.	Material	Finish
1	396800TC301	phosphor	Pre Tin plated
2			



				UNLESS OTHERWISE SPECIFIED TOLERANCES		 <b>EXCON TECHNOLOGY COMPANY</b>
				3 PLACE ±0.5 ±0.10		
				2 PLACE ±1.5 ±0.255		PART.NO
				1 PLACE ±2.0 ±0.50		
				ANGLE DIM		396800TC301
REV.	REVISIONI		DIS	DATE		
SCALE	REV.	PAGE:	UNIT	m m	DWG NO:	
NONE	B	1	THIRD ANGLE PROJECTION		C3968TC	

10 9 8 7 6 5 4 3 2 1