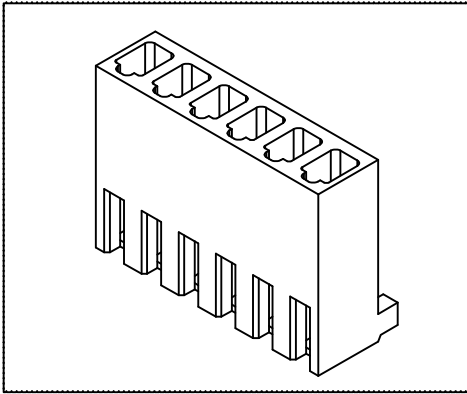
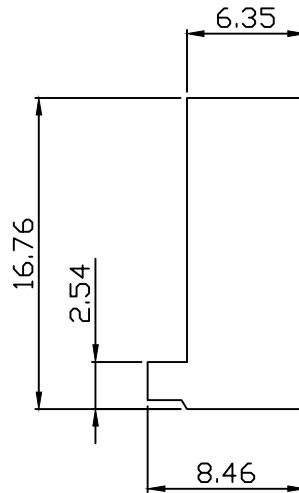
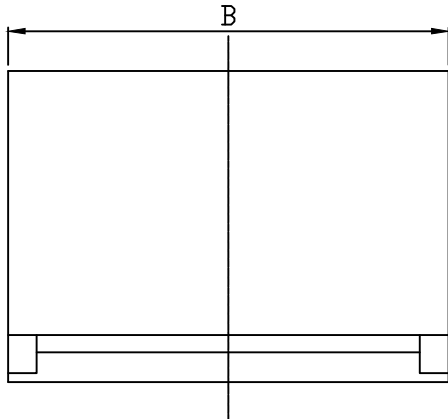
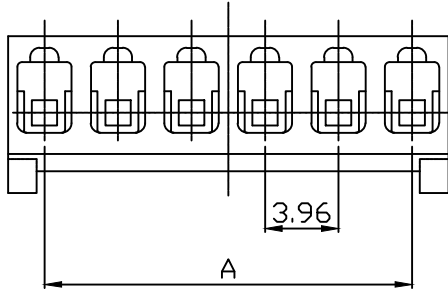


PART NO. 3968xxHA001  
 DWG NO. C3968HA



Dimensional & Ordering Information:

| Part No.    | Circuits | Dim A | Dim B |
|-------------|----------|-------|-------|
| 396802HA001 | 2        | 3.96  | 7.92  |
| 396803HA001 | 3        | 7.92  | 11.88 |
| 396804HA001 | 4        | 11.88 | 15.84 |
| 396805HA001 | 5        | 15.84 | 19.80 |
| 396806HA001 | 6        | 19.80 | 23.76 |
| 396807HA001 | 7        | 23.76 | 27.72 |
| 396808HA001 | 8        | 27.72 | 31.68 |
| 396809HA001 | 9        | 31.68 | 35.64 |
| 396810HA001 | 10       | 35.64 | 39.60 |
| 396811HA001 | 11       | 39.60 | 43.56 |
| 396812HA001 | 12       | 43.56 | 47.52 |
| 396813HA001 | 13       | 47.52 | 51.48 |
| 396814HA001 | 14       | 51.48 | 55.44 |
| 396815HA001 | 15       | 55.44 | 59.40 |
| 396816HA001 | 16       | 59.40 | 63.36 |
| 396817HA001 | 17       | 63.36 | 67.32 |
| 396818HA001 | 18       | 67.32 | 71.28 |
| 396819HA001 | 19       | 71.28 | 75.24 |
| 396820HA001 | 20       | 75.24 | 79.20 |
| 396821HA001 | 21       | 79.20 | 83.16 |
| 396822HA001 | 22       | 83.16 | 87.12 |
| 396823HA001 | 23       | 87.12 | 91.08 |
| 396824HA001 | 24       | 91.08 | 95.04 |

NOTE:

- Housing Material: Nylon 66 UL94V0
- Color: Natural
- Withstand voltage: 1000V AC/minute.
- Current rating: 3A AC/DC.
- Voltage rating: 250V AC/DC

|       |           |       |                        |                                       |             |  |
|-------|-----------|-------|------------------------|---------------------------------------|-------------|--|
|       |           |       |                        | UNLESS OTHERWISE SPECIFIED TOLERANCES |             | <b>EXCON</b><br>EXCON TECHNOLOGY COMPANY |
|       |           |       |                        | 3 PLACE ±0.5 ±0.10                    |             |  |
|       |           |       |                        | 2 PLACE ±1.5 ±0.255                   |             |  |
|       |           |       |                        | 1 PLACE ±2.0 ±0.50                    |             |  |
|       |           |       |                        | ANGLE DIM                             |             |  |
| REV.  | REVISIONI |       |                        | DIS                                   | DATE        |  |
| SCALE | REV.      | PAGE: | UNIT                   | mm                                    |             | DWG NO:                                  |
| NONE  | B         | 1     | THIRD ANGLE PROJECTION |                                       |             | C3968HA                                  |
|       |           |       |                        |                                       | PART.NO     |  |
|       |           |       |                        |                                       | 3968xxHA001 |  |