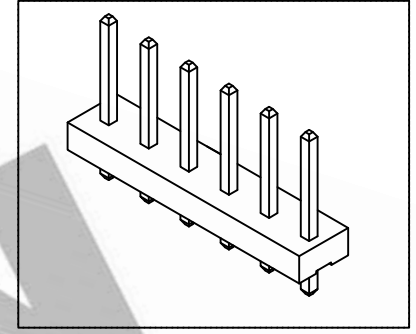
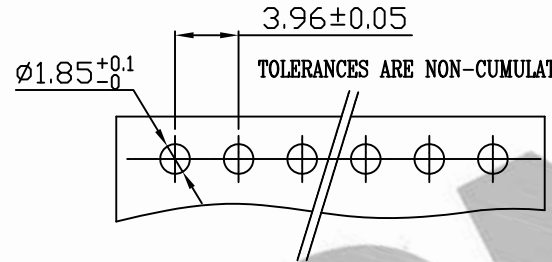
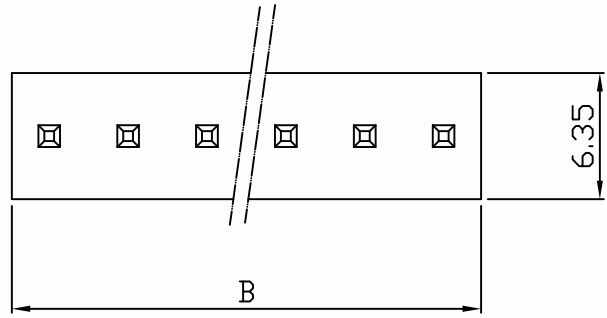
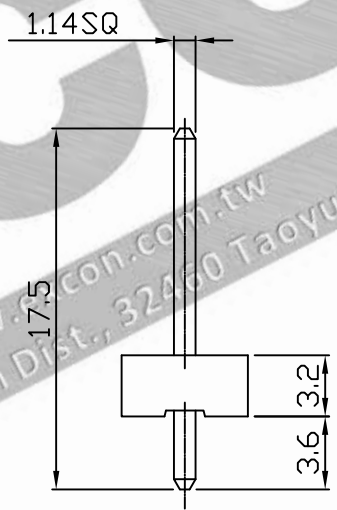
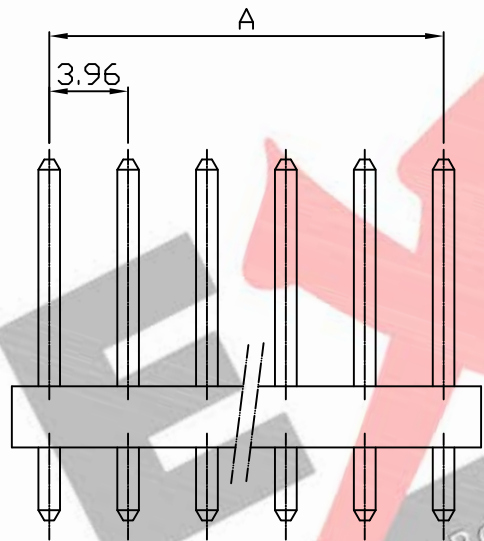


PART NO. 3965xxWV051  
 DWG NO. C3965WV



**RECOMMENDED PCB LAYOUT**  
 (PCB THK=1.0~1.6)



**Dimensional & Ordering Information:**

Part No.	Circuits	Dim A	Dim B
396502WV051	2	3.96	7.92
396503WV051	3	7.92	11.88
396504WV051	4	11.88	15.84
396505WV051	5	15.84	19.80
396506WV051	6	19.80	23.76
396507WV051	7	23.76	27.72
396508WV051	8	27.72	31.68
396509WV051	9	31.68	35.64
396510WV051	10	35.64	39.60
396511WV051	11	39.60	43.56
396512WV051	12	43.56	47.52
396513WV051	13	47.52	51.48
396514WV051	14	51.48	55.44
396515WV051	15	55.44	59.40

**NOTE:**

1. Wafer Material: Nylon 66 UL94V-2  
Pin/Pos Material: brass bronze.
2. Plated: Tin-plated 50u" min.
3. Insulation resistance: 1000M ohm/min.
4. Withstand voltage: 1500V AC/minute.
5. Current rating: 5A AC/DC.
6. Voltage rating: 250V AC/DC

UNLESS OTHERWISE SPECIFIED TOLERANCES			
3 PLACE ±0.5 ±0.10			
2 PLACE ±1.5 ±0.35			
1 PLACE ±2.0 ±0.50			
ANGLE DIM			
REV.	REVISION	DIS	DATE
SCALE	REV.	PAGE:	UNIT
2/1	A	1/1	mm
THIRD ANGLE PROJECTION			DWG NO:
			C3965WV

**EXCON**

**EXCON TECHNOLOGY COMPANY**

---

PART.NO

3965xxWV051